

# DC AXIAL FAN 60x60x25mm



Housing/Blade: Thermoplastic PBT, UL 94V-0  
 Insulation Resistance: 10M $\Omega$ , 500VDC/min between bare wire and frame  
 Dielectric Strength: 5mA max, 500VAC/min between bare wire and frame  
 Operation Temperature: -20°C~70°C(Humidity 15%-90%RH)  
 Storage Temperature: -40°C~85°C(Humidity 15%-90%RH)  
 Lead Wire: UL Type #24 AWG  
 Weight: 56 g



**ES** **IP** **SF**

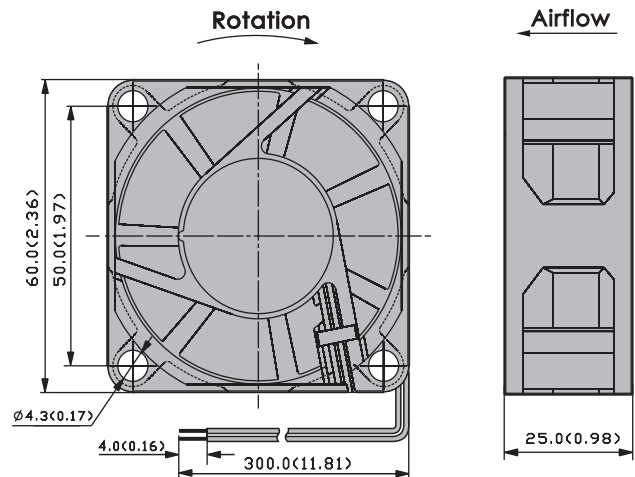
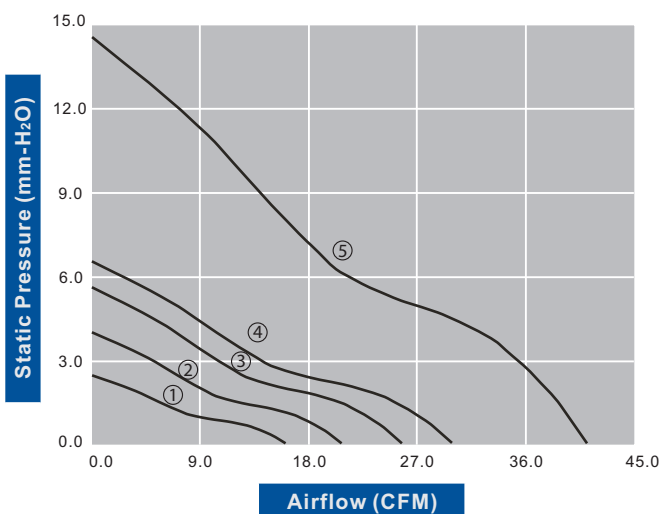


DC Axial Fans

Model Number	Voltage (VDC)	Op. Voltage (VDC)	AirFlow (CFM)	Static Pres. (mm-H <sub>2</sub> O)	Noise (dBA)	Speed (RPM)	Current (mA)	Power (W)	Available Bearing	Additional Function (See Page 3)	Curves
FD6025B12W3-21	12	7.0~13.2	16.00	2.40	23.10	2,800	80	0.96	B	P,X,Y	①
FD6025B12W5-21	12	7.0~13.2	20.50	3.90	29.10	3,700	120	1.44	B	P,X,Y	②
FD6025B12W7-21	12	7.0~13.2	25.80	5.60	33.50	4,300	150	1.80	B	P,X,Y	③
FD6025B12W9-21	12	7.0~13.2	29.70	6.40	39.90	5,200	210	2.52	B	P,X,Y	④
FD6025B12W11-21	12	7.0~13.2	40.70	14.40	47.30	6,800	330	3.96	B	P,X,Y	⑤
FD6025B24W3-21	24	12.0~26.4	16.00	2.40	23.10	2,800	50	1.20	B	P,X,Y	①
FD6025B24W5-21	24	12.0~26.4	20.50	3.90	29.10	3,700	70	1.68	B	P,X,Y	②
FD6025B24W7-21	24	12.0~26.4	25.80	5.60	33.50	4,300	90	2.16	B	P,X,Y	③
FD6025B24W9-21	24	12.0~26.4	29.70	6.40	39.90	5,200	110	2.64	B	P,X,Y	④
FD6025B24W11-21	24	12.0~26.4	40.70	14.40	47.30	6,800	210	5.04	B	P,X,Y	⑤
FD6025B48W3-21	※ 48	24.0~52.8	16.00	2.40	23.10	2,800	30	1.44	B	P,X,Y	①
FD6025B48W5-21	48	24.0~52.8	20.50	3.90	29.10	3,700	45	2.16	B	P,X,Y	②
FD6025B48W7-21	48	24.0~52.8	25.80	5.60	33.50	4,300	50	2.40	B	P,X,Y	③
FD6025B48W9-21	48	24.0~52.8	29.70	6.40	39.90	5,200	80	3.84	B	P,X,Y	④

• If model depicts "※", UL and TUV approvals can be implemented upon request.

Specifications are subject to change without notice



unit: mm(inch)