

DC AXIAL FAN 60x60x20mm



Housing/Blade: Thermoplastic PBT, UL 94V-0
 Insulation Resistance: 10M Ω , 500VDC/min between bare wire and frame
 Dielectric Strength: 5mA max, 500VAC/min between bare wire and frame
 Operation Temperature: -20°C~70°C(Humidity 15%-90%RH)
 Storage Temperature: -40°C~85°C(Humidity 15%-90%RH)
 Lead Wire: UL Type #24 AWG
 Weight:43 g



ES

IP

SF

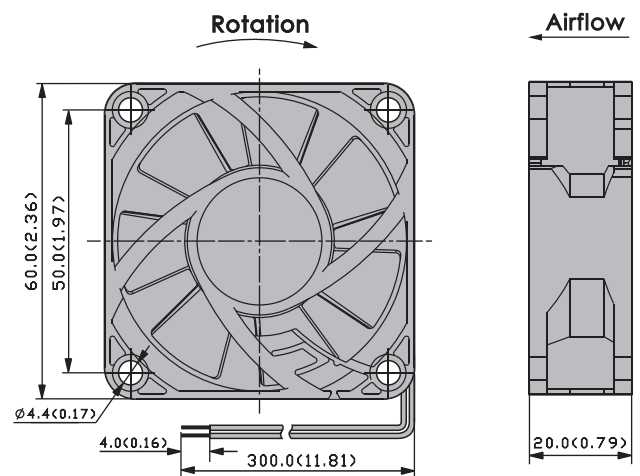
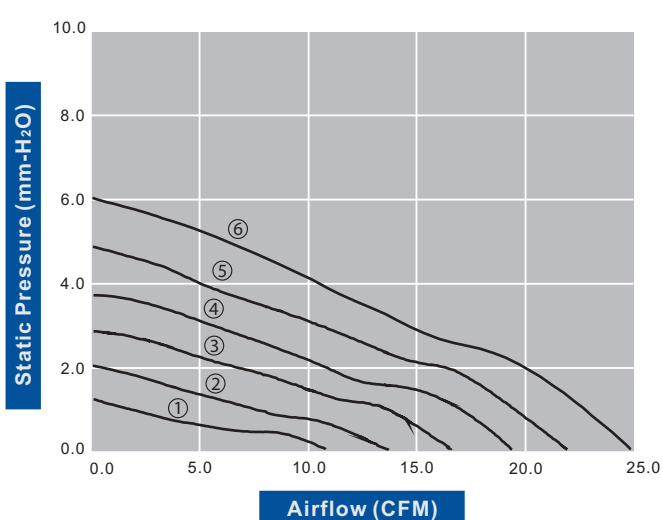


DC Axial Fans

Model Number	Voltage (VDC)	Op. Voltage (VDC)	Air Flow (CFM)	Static Pres. (mm-H ₂ O)	Noise (dBA)	Speed (RPM)	Current (mA)	Power (W)	Available Bearing	Additional Function (See Page 3)	Curves
FD6020B12W1-81	12	8.0~13.8	10.70	1.20	19.00	2,300	40	0.48	B	U	①
FD6020B12W2-81	12	8.0~13.8	13.40	2.00	22.70	2,900	50	0.60	B	U	②
FD6020B12W3-81	12	6.0~13.8	16.30	2.80	26.00	3,500	80	0.96	B	U	③
FD6020B12W5-81	12	6.0~13.8	19.10	3.70	30.40	4,100	100	1.20	B	U	④
FD6020B12W7-81	12	6.0~13.8	21.90	4.80	33.60	4,700	130	1.56	B	U	⑤
FD6020B12W9-81	★	6.0~13.8	24.80	6.00	37.50	5,300	190	2.28	B	P,U,X	⑥

• If model depicts "★", auto restart protection function built in.

Specifications are subject to change without notice



unit: mm(inch)