

DC AXIAL FAN 60x60x15mm



Housing/Blade: Thermoplastic PBT, UL 94V-0
 Insulation Resistance: 10MΩ, 500VDC/min between bare wire and frame
 Dielectric Strength: 5mA max. 500VAC/min between bare wire and frame
 Operation Temperature: -20°C~70°C(Humidity 15%-90%RH)
 Storage Temperature: -40°C~85°C(Humidity 15%-90%RH)
 Lead Wire: UL Type #26 AWG
 Weight: 41 g



ES IP SF

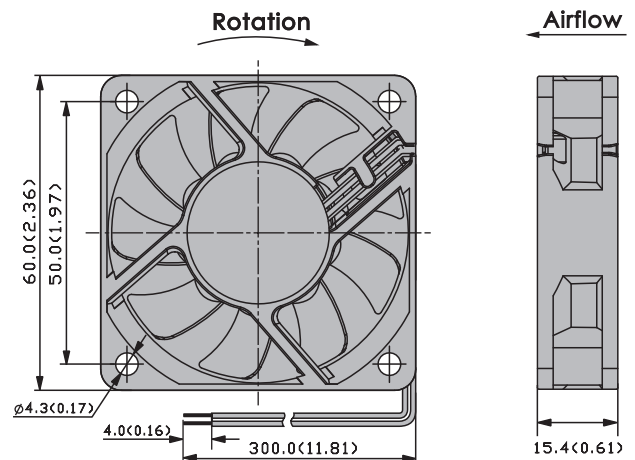
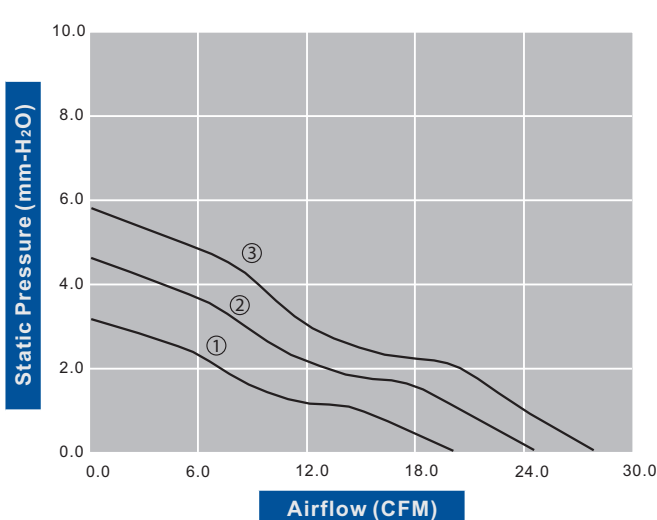


DC Axial Fans

Model Number		Voltage (VDC)	Op. Voltage (VDC)	AirFlow (CFM)	Static Pres. (mm-H ₂ O)	Noise (dBA)	Speed (RPM)	Current (mA)	Power (W)	Available Bearing	Additional Function (See Page 3)	Curves
FD6015B05W3-84	★	5	4.5~5.5	20.10	3.20	28.10	3,700	170	0.85	B,F	P,M	①
FD6015B05W5-84	★	5	4.5~5.5	24.40	4.60	33.50	4,500	290	1.45	B,F	P,M	②
FD6015B12W3-84	★	12	6.0~13.8	20.10	3.20	28.10	3,700	80	0.96	B,F	P,M	①
FD6015B12W5-84	★	12	6.0~13.8	24.40	4.60	33.50	4,500	130	1.56	B,F	P,M	②
FD6015B12W7-84	★	12	6.0~13.8	27.90	5.90	36.90	5,100	170	2.04	B,F	P,M	③

- For "Fluid Lubricant " bearing version, change the "B" in the model number to "F".
- If model depicts "★", auto restart protection function built in.

Specifications are subject to change without notice



unit: mm(inch)