

# DC AXIAL FAN 60x60x15mm



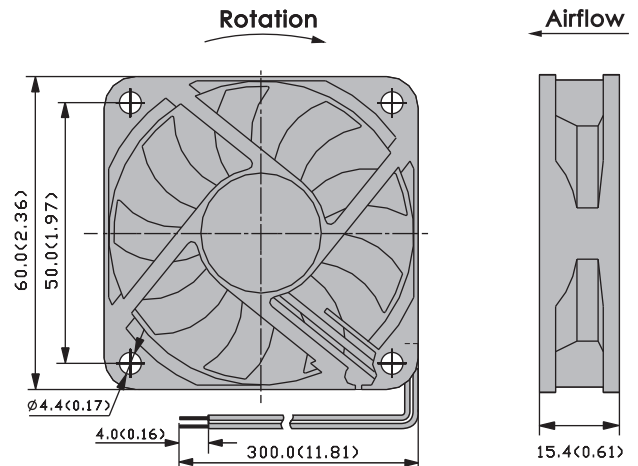
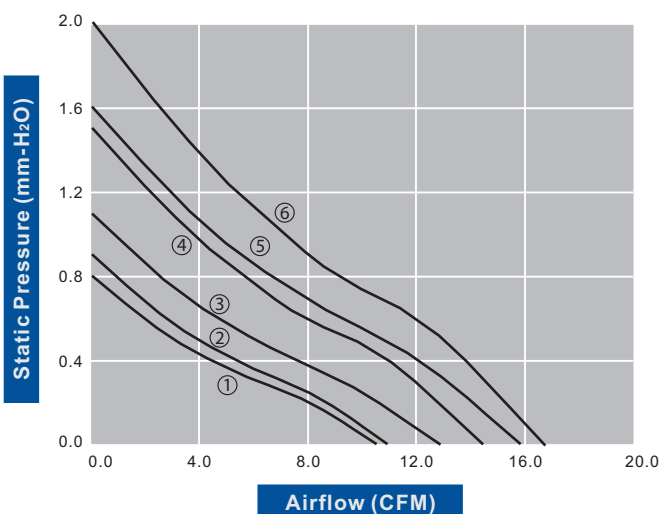
Housing/Blade: Thermoplastic PBT, UL 94V-0  
 Insulation Resistance: 10M $\Omega$ , 500VDC/min between bare wire and frame  
 Dielectric Strength: 5mA max, 500VAC/min between bare wire and frame  
 Operation Temperature: -10°C~70°C(Humidity 35%-85%RH)  
 Storage Temperature: -40°C~70°C(Humidity 35%-85%RH)  
 Lead Wire: UL Type #26 AWG  
 Weight: 33 g



Model Number	Voltage (VDC)	Op. Voltage (VDC)	AirFlow (CFM)	Static Pres. (mm-H <sub>2</sub> O)	Noise (dBA)	Speed (RPM)	Current (mA)	Power (W)	Available Bearing	Additional Function (See Page 3)	Curves
FD6015B05W3-71	5	4.0~5.5	10.40	0.80	19.70	2,000	140	0.70	B,C,L,S	S	①
FD6015B05W5-71	5	4.0~5.5	12.70	1.10	21.80	2,500	200	1.00	B,C,L,S	S	③
FD6015B05W7-71	5	4.0~5.5	15.60	1.60	26.00	3,000	260	1.30	B,C,L,S	S	⑤
FD6015B12W3-71	12	10.8~13.2	10.90	0.90	20.60	2,200	80	0.96	B,C,L,S	S	②
FD6015B12W5-71	12	10.8~13.2	14.30	1.50	24.20	2,800	100	1.44	B,C,L,S	S	④
FD6015B12W7-71	12	10.8~13.2	16.60	2.00	28.10	3,300	130	1.56	B,C,L,S	S	⑥

• For "One Ball & One Sleeve", "Long Life", or "Sleeve" bearing versions, change the "B" in the model number to "C", "L", or "S" respectively.

Specifications are subject to change without notice



unit: mm(inch)