

DC AXIAL FAN 60x60x15mm



Housing/Blade: Thermoplastic PBT, UL 94V-0
 Insulation Resistance: 10MΩ, 500VDC/min between bare wire and frame
 Dielectric Strength: 5mA max. 500VAC/min between bare wire and frame
 Operation Temperature: -20°C~70°C(Humidity 15%-90%RH)
 Storage Temperature: -40°C~85°C(Humidity 15%-90%RH)
 Lead Wire: UL Type #26 AWG
 Weight: 41 g



ES **IP** **SF**

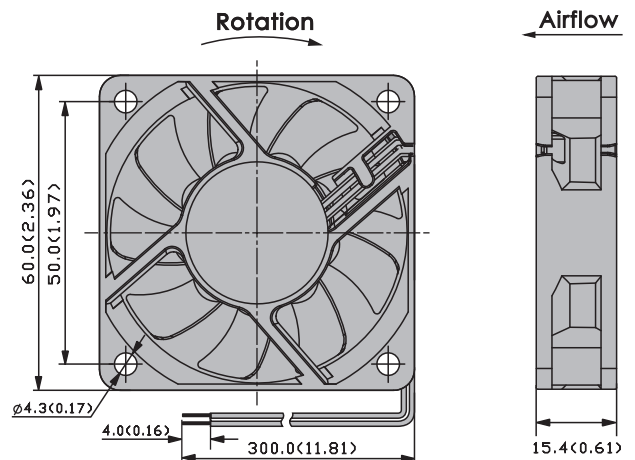
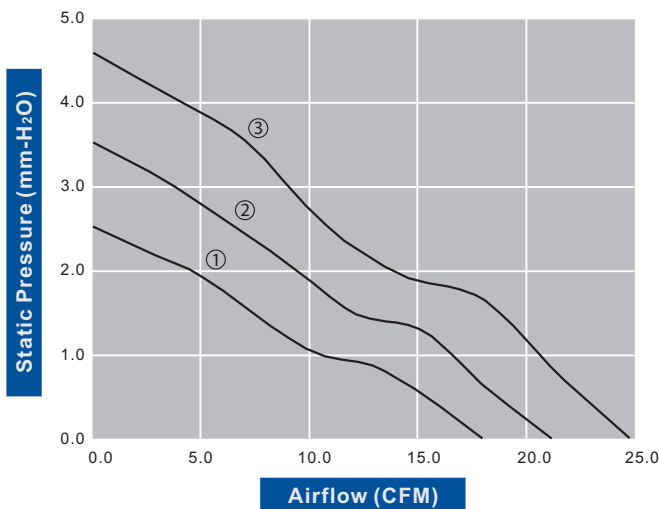


DC Axial Fans

Model Number	Voltage (VDC)	Op. Voltage (VDC)	AirFlow (CFM)	Static Pres. (mm-H ₂ O)	Noise (dBA)	Speed (RPM)	Current (mA)	Power (W)	Available Bearing	Additional Function (See Page 3)	Curves
FD6015B05W3-83	5	4.0~5.75	17.80	2.50	24.10	3,300	160	0.80	B,F,S	S	①
FD6015B05W5-83	5	4.0~5.75	21.20	3.50	30.00	4,000	220	1.10	B,F,S	S	②
FD6015B05W7-83	5	4.0~5.75	24.80	4.60	34.00	4,600	350	1.75	B,F,S	S	③
FD6015B12W3-83	12	6.0~13.8	17.80	2.50	24.10	3,300	80	0.96	B,F,S	S	①
FD6015B12W5-83	12	6.0~13.8	21.20	3.50	30.00	4,000	120	1.44	B,F,S	S	②
FD6015B12W7-83	12	6.0~13.8	24.80	4.60	34.00	4,600	160	1.92	B,F,S	S	③
FD6015B24W7-83	24	12.0~27.6	24.80	4.60	34.00	4,600	90	2.16	B,F,S	S	③

• For "Fluid Lubricant" or "Sleeve" bearing versions, change the "B" in the model number to "F" or "S" respectively.

Specifications are subject to change without notice



unit: mm(inch)