

DC AXIAL FAN 60x60x10mm



Housing/Blade: Thermoplastic PBT, UL 94V-0
 Insulation Resistance: 10MΩ, 500VDC/min between bare wire and frame
 Dielectric Strength: 5mA max. 500VAC/min between bare wire and frame
 Operation Temperature: -20°C~70°C(Humidity 15%-90%RH)
 Storage Temperature: -40°C~85°C(Humidity 15%-90%RH)
 Lead Wire: UL Type #26 AWG
 Weight: 28 g



ES

IP

SF

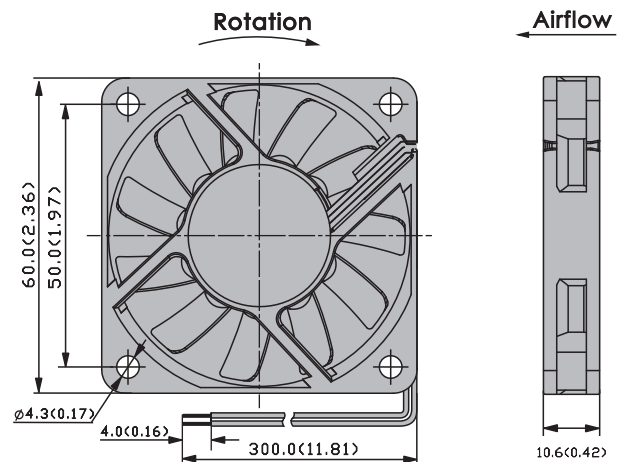
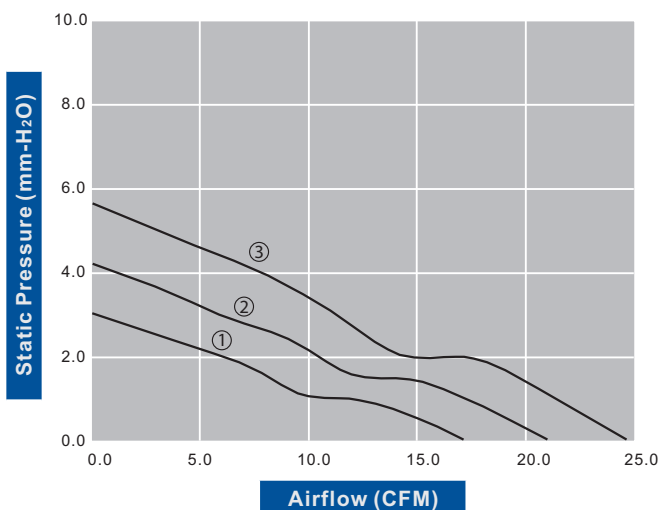


DC Axial Fans

Model Number	Voltage (VDC)	Op. Voltage (VDC)	Air Flow (CFM)	Static Pres. (mm-H ₂ O)	Noise (dBA)	Speed (RPM)	Current (mA)	Power (W)	Available Bearing	Additional Function (See Page 3)	Curves
FD6010B05W3-84	★ 5	4.0~5.75	17.20	3.10	30.50	4,000	180	0.90	B,F	P,M	①
FD6010B12W3-84	★ 12	6.0~13.8	17.20	3.10	30.50	4,000	90	1.08	B,F	P,M	①
FD6010B12W5-84	★ 12	6.0~13.8	21.00	4.20	35.50	4,800	150	1.80	B,F	P,M	②
FD6010B12W7-84	★ 12	6.0~13.8	24.60	5.70	39.40	5,500	200	2.40	B,F	P,M	③

- For "Fluid Lubricant" bearing version, change the "B" in the model number to "F".
- If model depicts "★", auto restart protection function built in.

Specifications are subject to change without notice



unit: mm(inch)