

# DC AXIAL FAN 60x60x10mm



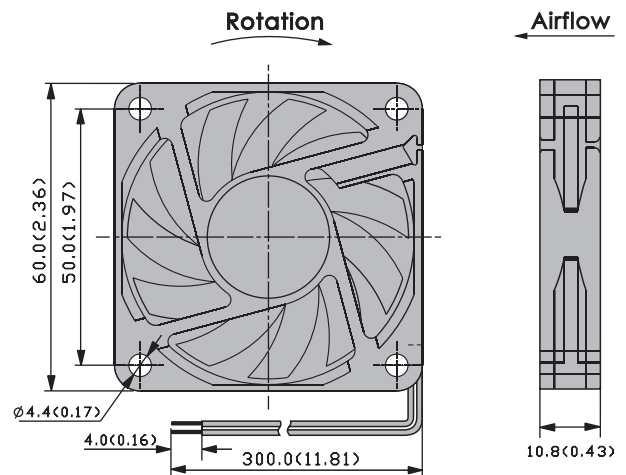
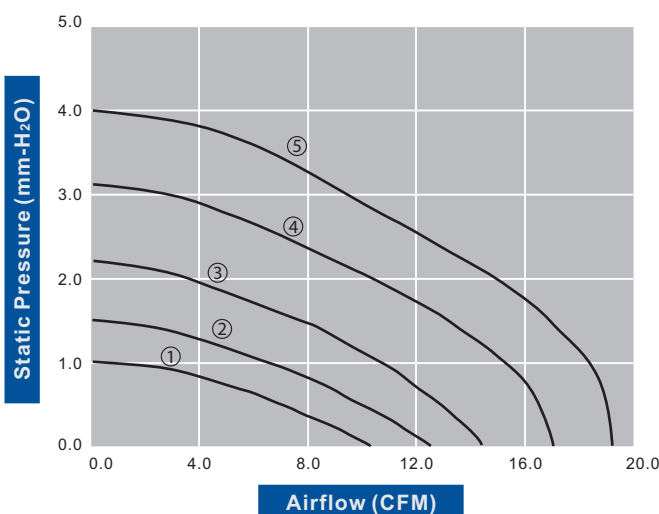
Housing/Blade: Thermoplastic PBT, UL 94V-0  
 Insulation Resistance: 10M $\Omega$ , 500VDC/min between bare wire and frame  
 Dielectric Strength: 5mA max, 500VAC/min between bare wire and frame  
 Operation Temperature: -20°C~70°C(Humidity 15%-90%RH)  
 Storage Temperature: -40°C~85°C(Humidity 15%-90%RH)  
 Lead Wire: UL Type #26 AWG  
 Weight: 31 g



Model Number	Voltage (VDC)	Op. Voltage (VDC)	Air Flow (CFM)	Static Pres. (mm-H <sub>2</sub> O)	Noise (dBA)	Speed (RPM)	Current (mA)	Power (W)	Available Bearing	Additional Function (See Page 3)	Curves
FD6010B05W1-81	5	4.0~5.5	12.40	1.50	26.80	3,000	120	0.60	B,L,S	P,U,X	②
FD6010B05W2-81	5	4.0~5.5	14.30	2.20	31.70	3,600	210	1.05	B,L,S	P,U,X	③
FD6010B12W00-81	12	10.8~13.8	10.30	1.00	21.30	2,400	50	0.60	B,L,S	P,U,X	①
FD6010B12W1-81	12	8.0~13.8	12.40	1.50	26.80	3,000	80	0.96	B,L,S	P,U,X	②
FD6010B12W2-81	12	6.0~13.8	14.30	2.20	31.70	3,600	120	1.44	B,L,S	P,U,X	③
FD6010B12W3-81	12	6.0~13.8	17.00	3.10	36.10	4,200	170	2.04	B,L,S	P,U,X	④
FD6010B12W5-81	12	6.0~13.8	19.20	4.00	39.80	4,800	250	3.00	B,L,S	P,U,X	⑤
FD6010B24W1-81	24	18.0~27.6	12.40	1.50	26.80	3,000	70	1.68	B,L,S	P,U,X	②
FD6010B24W2-81	24	12.0~27.6	14.30	2.20	31.70	3,600	90	2.16	B,L,S	P,U,X	③
FD6010B24W3-81	24	12.0~27.6	17.00	3.10	36.10	4,200	120	2.88	B,L,S	P,U,X	④

• For "Long Life" or "Sleeve" bearing versions, change the "B" in the model number to "L" or "S" respectively.

Specifications are subject to change without notice



unit: mm(inch)