

DC AXIAL FAN 60x60x10mm



Housing/Blade: Thermoplastic PBT, UL 94V-0
 Insulation Resistance: 10MΩ, 500VDC/min between bare wire and frame
 Dielectric Strength: 5mA max. 500VAC/min between bare wire and frame
 Operation Temperature: -20°C~70°C(Humidity 15%-90%RH)
 Storage Temperature: -40°C~85°C(Humidity 15%-90%RH)
 Lead Wire: UL Type #26 AWG
 Weight: 28 g



ES IP SF

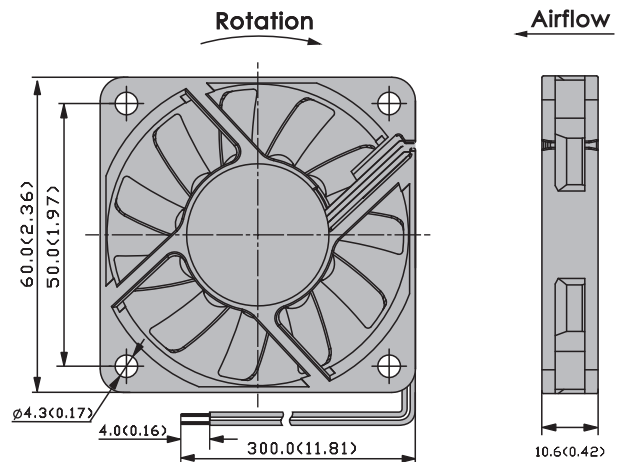
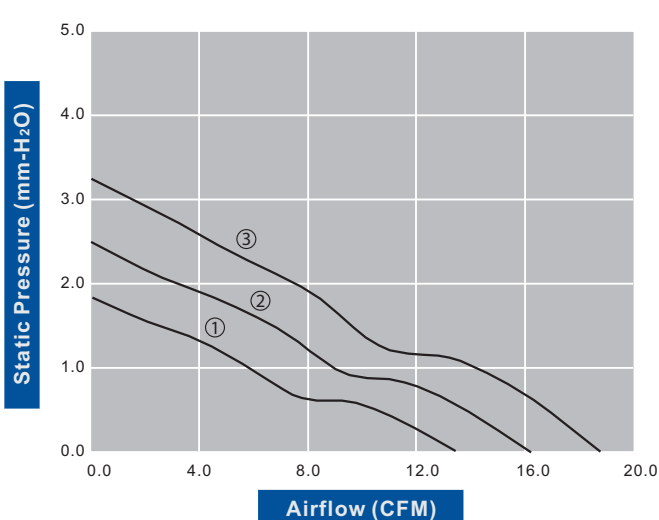


DC Axial Fans

Model Number	Voltage (VDC)	Op.Voltage (VDC)	AirFlow (CFM)	StaticPres. (mm-H ₂ O)	Noise (dBA)	Speed (RPM)	Current (mA)	Power (W)	Available Bearing	Additional Function (See Page 3)	Curves
FD6010B05W3-83	5	4.0~5.75	13.70	1.90	25.10	3,100	110	0.55	B,F,S	S	①
FD6010B05W5-83	5	4.0~5.75	16.10	2.50	28.60	3,700	180	0.90	B,F,S	S	②
FD6010B05W7-83	5	4.0~5.75	18.40	3.20	32.00	4,200	300	1.50	B,F,S	S	③
FD6010B12W5-83	12	6.0~13.8	16.10	2.50	28.60	3,700	110	1.32	B,F,S	S	②
FD6010B12W7-83	12	6.0~13.8	18.40	3.20	32.00	4,200	140	1.68	B,F,S	S	③

• For "Fluid Lubricant" or "Sleeve" bearing versions, change the "B" in the model number to "F" or "S" respectively.

Specifications are subject to change without notice



unit: mm(inch)