

DC AXIAL FAN 50x50x25mm



Housing/Blade: Thermoplastic PBT, UL 94V-0
 Insulation Resistance: 10MΩ, 500VDC/min between bare wire and frame
 Dielectric Strength: 5mA max. 500VAC/min between bare wire and frame
 Operation Temperature: -20°C~70°C(Humidity 15%-90%RH)
 Storage Temperature: -40°C~85°C(Humidity 15%-90%RH)
 Lead Wire: UL Type #26 AWG
 Weight: 29 g



ES IP SF

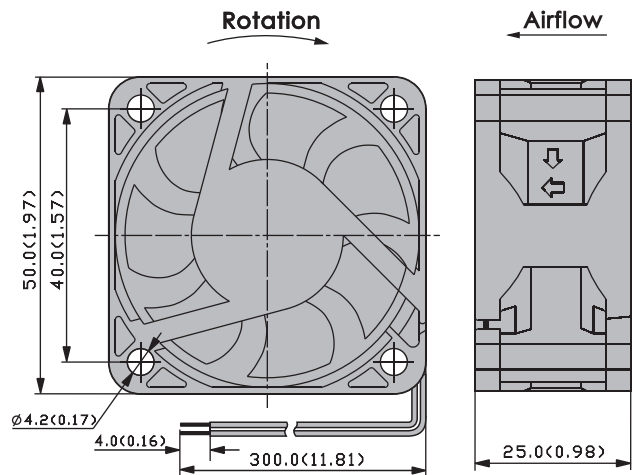
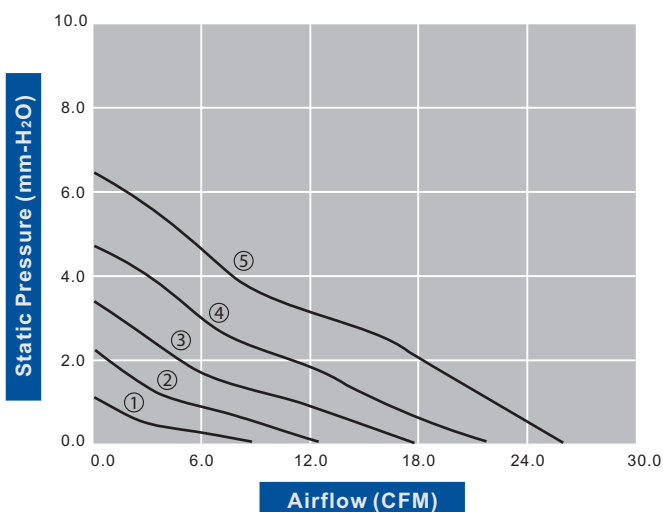


DC Axial Fans

Model Number	Voltage (VDC)	Op.Voltage (VDC)	AirFlow (CFM)	StaticPres. (mm-H ₂ O)	Noise (dBA)	Speed (RPM)	Current (mA)	Power (W)	Available Bearing	Additional Function (See Page 3)	Curves
FD5025B12W1-81	12	8.0~13.8	8.50	1.10	14.30	2,500	40	0.48	B,L,S	P,U,X	①
FD5025B12W3-81	12	6.0~13.8	12.40	2.20	21.80	3,500	60	0.72	B,L,S	P,U,X	②
FD5025B12W5-81	12	6.0~13.8	17.80	3.40	28.00	4,500	110	1.32	B,L,S	P,U,X	③
FD5025B12W7-81	12	6.0~13.8	21.60	4.70	33.90	5,500	210	2.52	B,L,S	P,U,X	④
FD5025B12W9-81	★	6.0~13.8	25.50	6.40	38.60	6,500	290	3.48	B	P,U,X	⑤
FD5025B24W3-81	24	18.0~27.6	12.40	2.20	21.80	3,500	50	1.20	B,L,S	P,U,X	②
FD5025B24W5-81	24	12.0~27.6	17.80	3.40	28.00	4,500	70	1.68	B,L,S	P,U,X	③
FD5025B24W7-81	★	12.0~27.6	21.60	4.70	33.90	5,500	110	2.64	B,L,S	P,U,X	④
FD5025B24W9-81	★	12.0~27.6	25.50	6.40	38.60	6,500	190	4.56	B	P,U,X	⑤

- For "Long Life" or "Sleeve" bearing versions, change the "B" in the model number to "L" or "S" respectively.
- If model depicts "★", auto restart protection function built in.

Specifications are subject to change without notice



unit: mm(inch)