

DC AXIAL FAN 50x50x10mm



Housing/Blade: Thermoplastic PBT, UL 94V-0
 Insulation Resistance: 10M Ω , 500VDC/min between bare wire and frame
 Dielectric Strength: 5mA max, 500VAC/min between bare wire and frame
 Operation Temperature: -20°C~70°C(Humidity 15%-90%RH)
 Storage Temperature: -40°C~85°C(Humidity 15%-90%RH)
 Lead Wire: UL Type #26 AWG
 Weight: 20 g

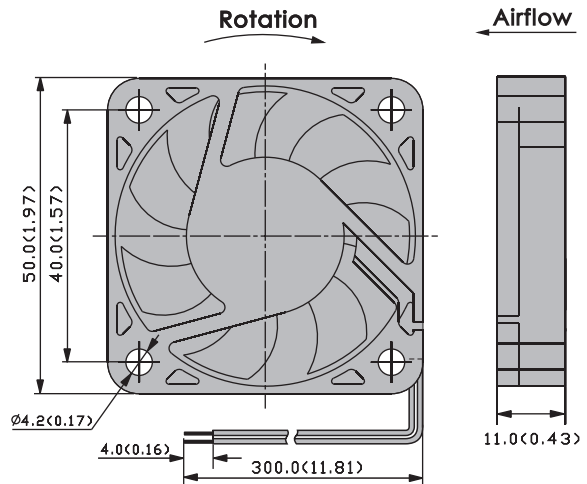
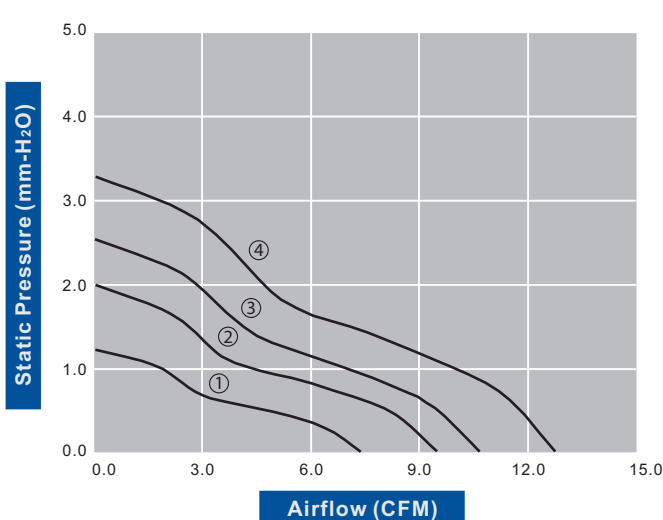


ES IP SF



Model Number	Voltage (VDC)	Op. Voltage (VDC)	Air Flow (CFM)	Static Pres. (mm-H ₂ O)	Noise (dBA)	Speed (RPM)	Current (mA)	Power (W)	Available Bearing	Additional Function (See Page 3)	Curves
FD5010B05W3-81	5	4.5~5.5	7.30	1.20	21.60	3,400	90	0.45	B,L,S	P,U,X	①
FD5010B05W5-81	5	4.5~5.5	9.50	2.00	26.50	4,200	130	0.65	B,L,S	P,U,X	②
FD5010B05W7-81	5	4.5~5.5	10.60	2.50	30.20	5,000	250	1.25	B,L,S	P,U,X	③
FD5010B09W3-81	9	7.0~10.0	7.30	1.20	21.60	3,400	70	0.63	B,L,S	P,U,X	①
FD5010B09W5-81	9	6.0~10.0	9.50	2.00	26.50	4,200	100	0.90	B,L,S	P,U,X	②
FD5010B09W7-81	9	6.0~10.0	10.60	2.50	30.20	5,000	140	1.26	B,L,S	P,U,X	③
FD5010B09W9-81	9	6.0~10.0	12.60	3.30	33.80	5,800	200	1.80	B,L,S	P,U,X	④
FD5010B12W3-81	12	10.8~13.8	7.30	1.20	21.60	3,400	60	0.72	B,L,S	P,U,X	①
FD5010B12W5-81	12	9.0~13.8	9.50	2.00	26.50	4,200	90	1.08	B,L,S	P,U,X	②
FD5010B12W7-81	12	9.0~13.8	10.60	2.50	30.20	5,000	110	1.32	B,L,S	P,U,X	③
FD5010B12W9-81	★	9.0~13.8	12.60	3.30	33.80	5,800	160	1.92	B,L,S	P,U,X	④
FD5010B24W3-81	24	20.0~27.6	7.30	1.20	21.60	3,400	30	0.72	B,L,S	P,U,X	①
FD5010B24W5-81	24	20.0~27.6	9.50	2.00	26.50	4,200	50	1.20	B,L,S	P,U,X	②
FD5010B24W7-81	24	20.0~27.6	10.60	2.50	30.20	5,000	70	1.68	B,L,S	P,U,X	③

- For "Long Life" or "Sleeve" bearing versions, change the "B" in the model number to "L" or "S" respectively. Specifications are subject to change without notice
- If model depicts "★", auto restart protection function built in.



unit: mm(inch)