

# DC AXIAL FAN 50x50x10mm



Housing/Blade: Thermoplastic PBT, UL 94V-0  
 Insulation Resistance: 10M $\Omega$ , 500VDC/min between bare wire and frame  
 Dielectric Strength: 5mA max. 500VAC/min between bare wire and frame  
 Operation Temperature: -20°C~70°C(Humidity 15%-90%RH)  
 Storage Temperature: -40°C~85°C(Humidity 15%-90%RH)  
 Lead Wire: UL Type #28 AWG  
 Weight: 18 g



ES

IP

SF

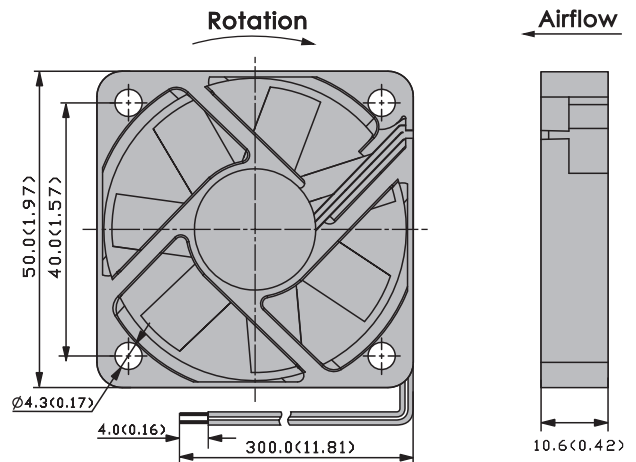
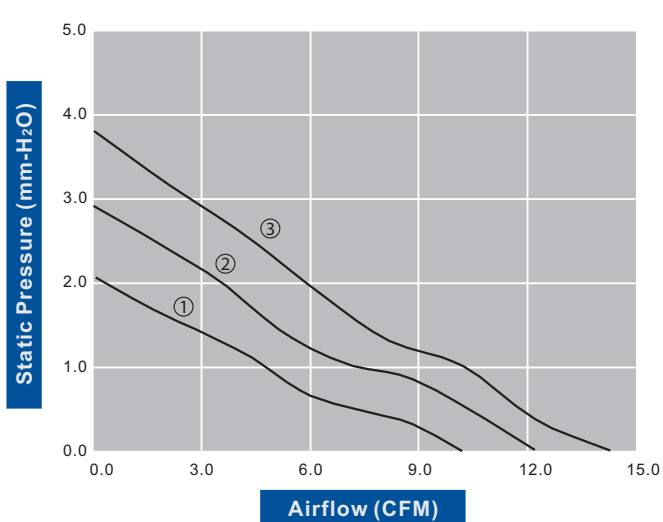


DC Axial Fans

Model Number	Voltage (VDC)	Op.Voltage (VDC)	AirFlow (CFM)	StaticPres. (mm-H <sub>2</sub> O)	Noise (dBA)	Speed (RPM)	Current (mA)	Power (W)	Available Bearing	Additional Function (See Page 3)	Curves
FD5010B05W5-83	5	4.0~5.75	10.10	2.10	23.10	4,000	110	0.55	B,F,S	S	①
FD5010B05W7-83	5	4.0~5.75	12.10	2.90	28.10	4,700	180	0.90	B,F,S	S	②
FD5010B12W5-83	12	6.0~13.8	10.10	2.10	23.10	4,000	80	0.96	B,F,S	S	①
FD5010B12W7-83	12	6.0~13.8	12.10	2.90	28.10	4,700	100	1.20	B,F,S	S	②
FD5010B12W9-83	12	6.0~13.8	14.10	3.80	32.00	5,400	120	1.44	B,F,S	S	③

• For "Fluid Lubricant" or "Sleeve" bearing versions, change the "B" in the model number to "F" or "S" respectively.

Specifications are subject to change without notice



unit: mm(inch)