

DC AXIAL FAN 50x50x10mm



Housing/Blade: Thermoplastic PBT, UL 94V-0
 Insulation Resistance: 10MΩ, 500VDC/min between bare wire and frame
 Dielectric Strength: 5mA max. 500VAC/min between bare wire and frame
 Operation Temperature: -20°C~70°C(Humidity 15%-90%RH)
 Storage Temperature: -40°C~85°C(Humidity 15%-90%RH)
 Lead Wire: UL Type #28 AWG
 Weight: 21 g



ES IP SF

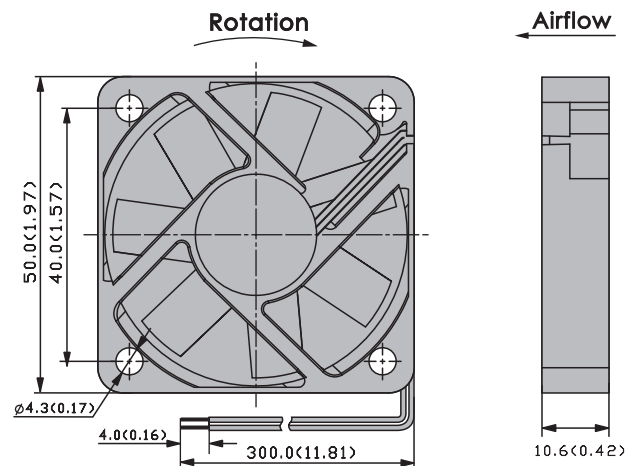
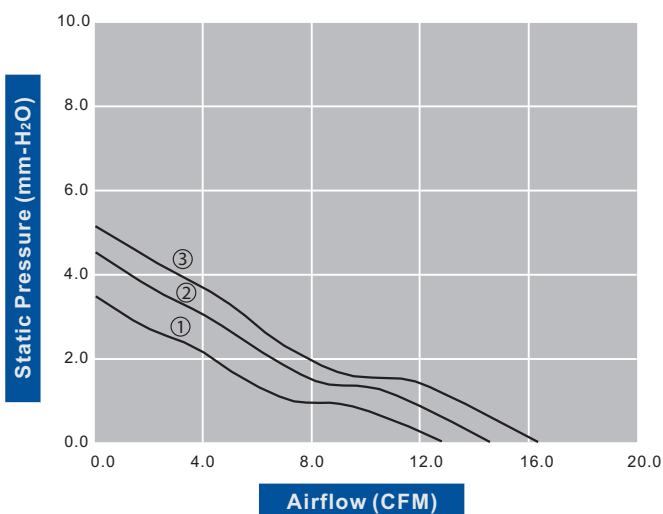


DC Axial Fans

Model Number		Voltage (VDC)	Op. Voltage (VDC)	AirFlow (CFM)	Static Pres. (mm-H ₂ O)	Noise (dBA)	Speed (RPM)	Current (mA)	Power (W)	Available Bearing	Additional Function (See Page 3)	Curves
FD5010B05W3-84	★	5	4.0~5.75	12.70	3.60	29.60	4,900	100	0.50	B,F	P,M	①
FD5010B05W5-84	★	5	4.0~5.75	14.80	4.40	33.00	5,600	160	0.80	B,F	P,M	②
FD5010B05W7-84	★	5	4.0~5.75	16.30	5.20	35.50	6,100	210	1.05	B,F	P,M	③
FD5010B12W3-84	★	12	6.0~13.8	12.70	3.60	29.60	4,900	70	0.84	B,F	P,M	①
FD5010B12W5-84	★	12	6.0~13.8	14.80	4.40	33.00	5,600	90	1.08	B,F	P,M	②
FD5010B12W7-84	★	12	6.0~13.8	16.30	5.20	35.50	6,100	110	1.32	B,F	P,M	③

- For "Fluid Lubricant" bearing version, change the "B" in the model number to "F".
- If model depicts "★", auto restart protection function built in.

Specifications are subject to change without notice



unit: mm (inch)