

DC AXIAL FAN 40x40x20mm



Housing/Blade: Thermoplastic PBT, UL 94V-0
 Insulation Resistance: 10MΩ, 500VDC/min between bare wire and frame
 Dielectric Strength: 5mA max. 500VAC/min between bare wire and frame
 Operation Temperature: -10°C~70°C(Humidity 35%-85%RH)
 Storage Temperature: -40°C~70°C(Humidity 35%-85%RH)
 Lead Wire: UL Type #26 AWG
 Weight: 23 g



SS

SF

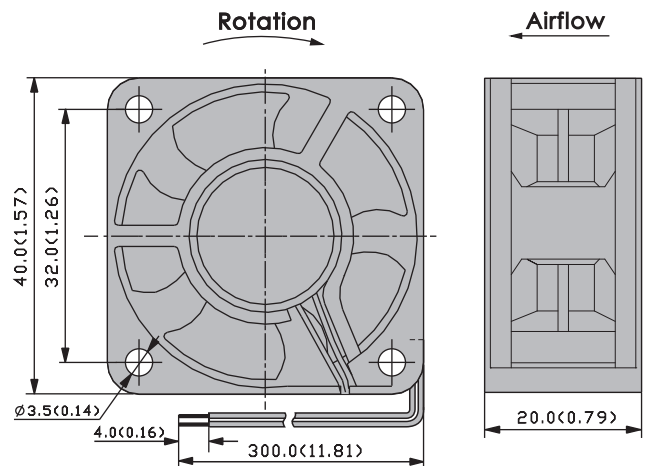
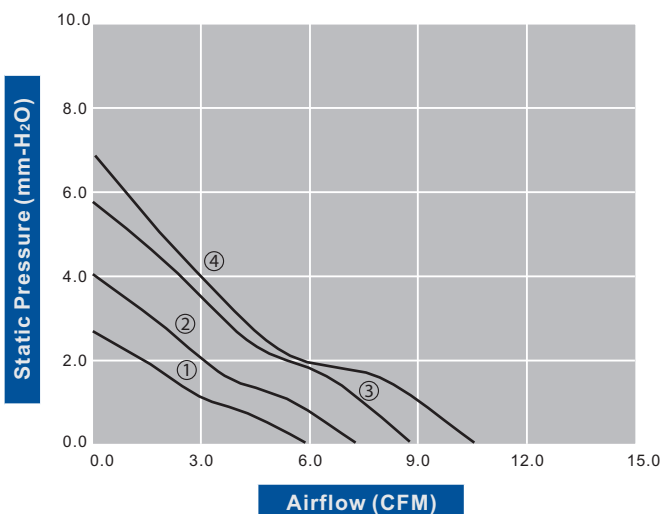


DC Axial Fans

Model Number	Voltage (VDC)	Op. Voltage (VDC)	Air Flow (CFM)	Static Pres. (mm-H ₂ O)	Noise (dBA)	Speed (RPM)	Current (mA)	Power (W)	Available Bearing	Additional Function (See Page 3)	Curves
FD4020B05W5-71	5	4.0~5.5	5.80	2.60	23.10	5,000	110	0.55	B,L,S	S	①
FD4020B05W7-71	5	4.0~5.5	7.20	4.00	28.60	6,200	160	0.80	B,L,S	S	②
FD4020B05W9-71	5	4.0~5.5	8.70	5.70	33.90	7,500	260	1.30	B,L,S	S	③
FD4020B12W5-71	12	10.8~13.2	5.80	2.60	23.10	5,000	70	0.84	B,L,S	S	①
FD4020B12W7-71	12	10.8~13.2	7.20	4.00	28.60	6,200	110	1.32	B,L,S	S	②
FD4020B12W9-71	12	10.8~13.2	8.70	5.70	33.90	7,500	130	1.56	B,L,S	S	③
FD4020B12W11-71	★※ 12	10.8~13.2	10.50	6.80	39.70	9,000	150	1.80	B,L,S	S	④
FD4020B24W5-71	24	17.0~28.0	5.80	2.60	23.10	5,000	60	1.44	B,L,S	S	①
FD4020B24W7-71	24	17.0~28.0	7.20	4.00	28.60	6,200	80	1.92	B,L,S	S	②
FD4020B24W9-71	24	17.0~28.0	8.70	5.70	33.90	7,500	100	2.40	B,L,S	S	③

- For "Long Life" or "Sleeve" bearing versions, change the "B" in the model number to "L" or "S" respectively.
- If model depicts "★", auto restart protection function built in.
- If model depicts "※", UL and TUV approvals can be implemented upon request.

Specifications are subject to change without notice



unit: mm(inch)