

- Housing/Blade: Plastic UL 94V-0 P.B.T.
- Insulation Resistance: 10MΩ, 500VDC/min between bare wire and frame
- Dielectric Strength: 5mAmax. 500VAC/min between bare wire and frame
- Operation Temperature: -10°C~70°C (Humidity 35%-85%RH)
- Storage Temperature: -40°C~70°C (Humidity 35%-85%RH)
- Lead Wire: UL Type #26 AWG
- Weight: 13 g



Specification :

Model Number	Bearing Availability	Rated Voltage (VDC)	Operating Voltage (VDC)	Actual Current (mA)	Power (W)	Speed (R.P.M)	Air Flow (CFM)	Static Pressure (mm-H ₂ O)	Noise (dBA)	Additional Function (Seepage4)
FD4010B05W3-71	B,C,L,S	5	4.0~5.5	80	0.40	4,200	4.50	2.40	20.80	S
FD4010B05W5-71	B,C,L,S		4.0~5.5	100	0.50	5,400	5.70	2.50	24.50	S
FD4010B05W7-71	B,C,L,S		4.0~5.5	160	0.80	6,000	6.50	3.40	25.90	S
FD4010B12W3-71	B,C,L,S	12	10.8~13.2	50	0.60	4,200	4.50	2.40	20.80	S
FD4010B12W5-71	B,C,L,S		10.8~13.2	60	0.72	5,400	5.70	2.50	24.50	S
FD4010B12W7-71	B,C,L,S		10.8~13.2	70	0.84	6,000	6.50	3.40	25.90	S
FD4010B24W3-71	B,C,L,S	24	17.0~28.0	50	1.20	4,200	4.50	2.40	20.80	S
FD4010B24W5-71	B,C,L,S		17.0~28.0	60	1.44	5,400	5.70	2.50	24.50	S
FD4010B24W7-71	B,C,L,S		17.0~28.0	70	1.68	6,000	6.50	3.00	25.90	S

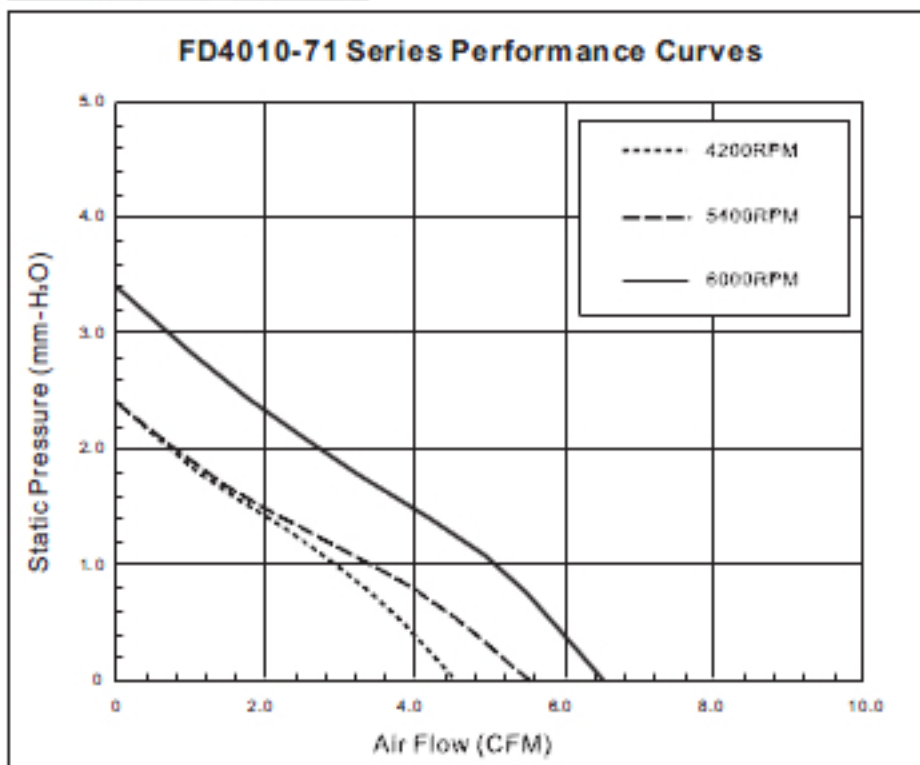
- For "One Ball & One Sleeve", "Long Life", "Sleeve" Bearing Version, change "B" in the model number to "C", "L", "S".
 - For additional function availability type, please refer to the notes of page 4.
- Specifications are subject to change without notice

Accessories :

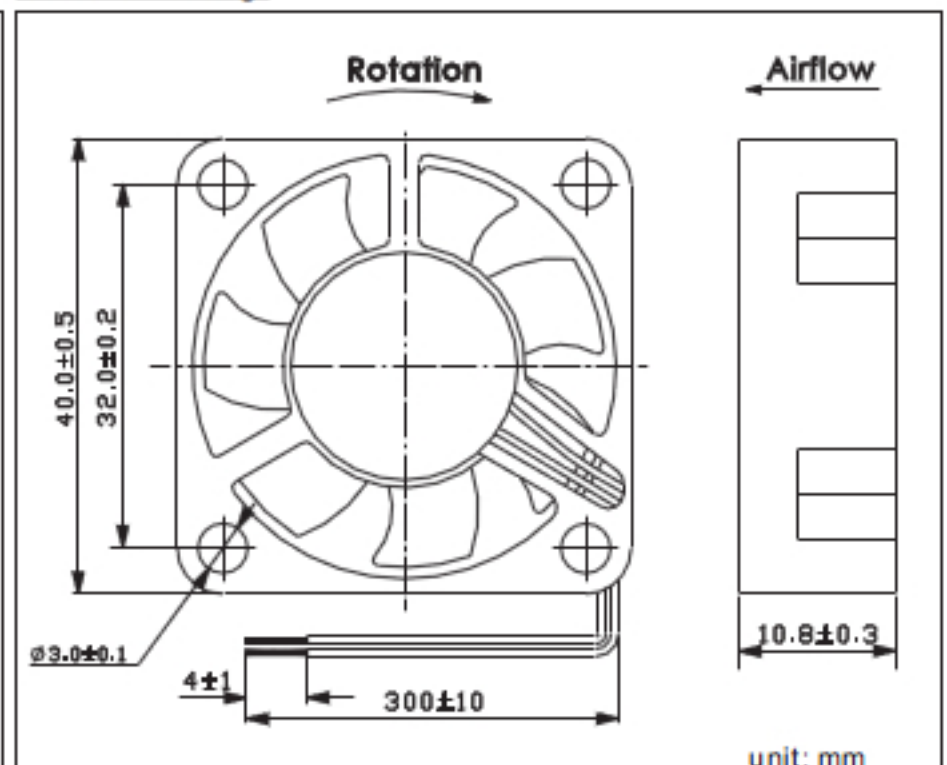
Fans are available with a wide range of accessories

Part Type	Wire Form Guard	Plastic Guard	Plastic Filter	Aluminum Filter
Part Number	FGW-040	FGP-040	FPF-040	FFA-040

Characteristic Curves :



Outline Drawing :



DC Brushless Fan Standard