

DC AXIAL FAN 40x40x10mm



Housing/Blade: Thermoplastic PBT, UL 94V-0
 Insulation Resistance: 10MΩ, 500VDC/min between bare wire and frame
 Dielectric Strength: 5mA max. 500VAC/min between bare wire and frame
 Operation Temperature: -20°C~70°C(Humidity 15%-90%RH)
 Storage Temperature: -40°C~85°C(Humidity 15%-90%RH)
 Lead Wire: UL Type #28 AWG
 Weight: 17 g



ES **IP** **SF**

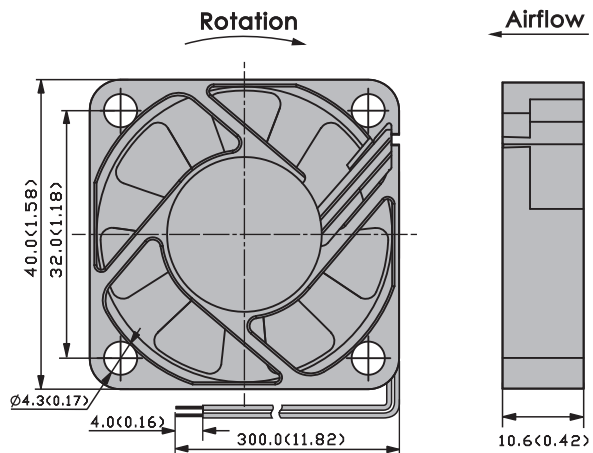
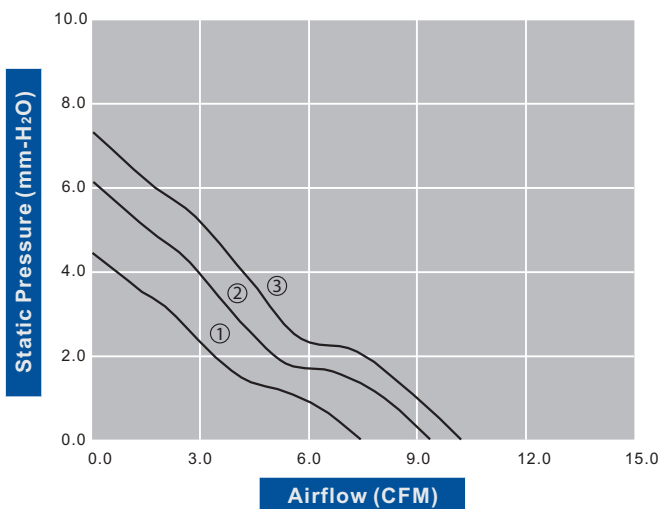


DC Axial Fans

| Model Number | | Voltage (VDC) | Op. Voltage (VDC) | Air Flow (CFM) | Static Pres. (mm-H ₂ O) | Noise (dBA) | Speed (RPM) | Current (mA) | Power (W) | Available Bearing | Additional Function (See Page 3) | Curves |
|----------------|---|---------------|-------------------|----------------|------------------------------------|-------------|-------------|--------------|-----------|-------------------|----------------------------------|--------|
| FD4010B05W3-84 | ★ | 5 | 4.0~5.75 | 7.70 | 4.40 | 28.10 | 6,400 | 80 | 0.40 | B,F | P,M | ① |
| FD4010B05W5-84 | ★ | 5 | 4.0~5.75 | 9.30 | 6.10 | 32.50 | 7,500 | 130 | 0.65 | B,F | P,M | ② |
| FD4010B05W7-84 | ★ | 5 | 4.0~5.75 | 10.20 | 7.30 | 35.00 | 8,300 | 160 | 0.80 | B,F | P,M | ③ |
| FD4010B12W3-84 | ★ | 12 | 6.0~13.8 | 7.70 | 4.40 | 28.10 | 6,400 | 60 | 0.72 | B,F | P,M | ① |
| FD4010B12W5-84 | ★ | 12 | 6.0~13.8 | 9.30 | 6.10 | 32.50 | 7,500 | 70 | 0.84 | B,F | P,M | ② |
| FD4010B12W7-84 | ★ | 12 | 6.0~13.8 | 10.20 | 7.30 | 35.00 | 8,300 | 100 | 1.20 | B,F | P,M | ③ |

- For "Fluid Lubricant" bearing version, change the "B" in the model number to "F".
- If model depicts "★", auto restart protection function built in.

Specifications are subject to change without notice



unit: mm(inch)