

# DC AXIAL FAN 40x40x10mm



Housing/Blade: Thermoplastic PBT, UL 94V-0  
 Insulation Resistance: 10M $\Omega$ , 500VDC/min between bare wire and frame  
 Dielectric Strength: 5mA max. 500VAC/min between bare wire and frame  
 Operation Temperature: -20°C~70°C(Humidity 15%-90%RH)  
 Storage Temperature: -40°C~85°C(Humidity 15%-90%RH)  
 Lead Wire: UL Type #28 AWG  
 Weight: 14 g



**ES** **IP** **SF**

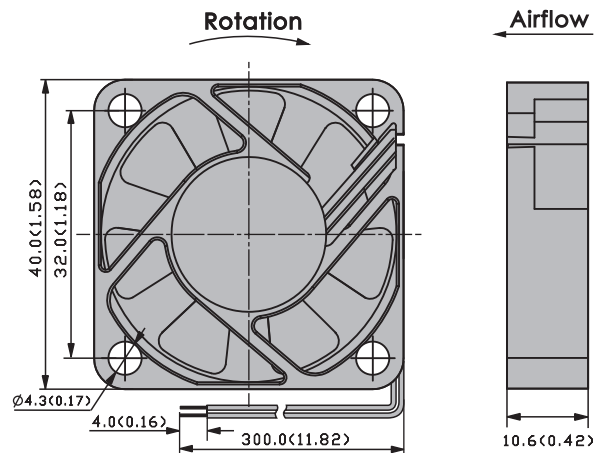
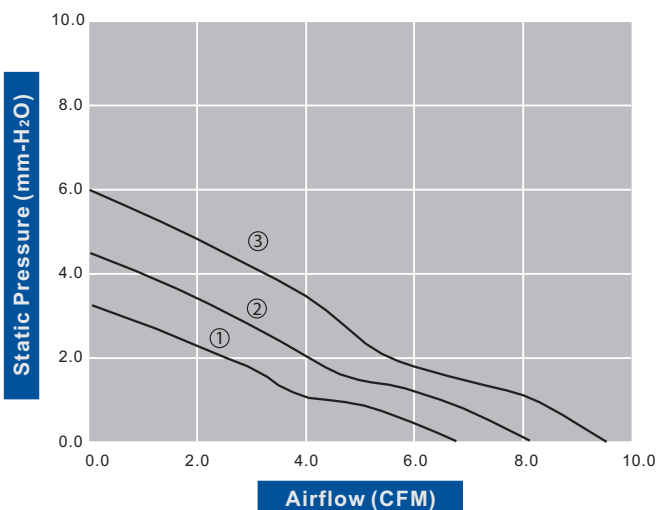


DC Axial Fans

Model Number	Voltage (VDC)	Op. Voltage (VDC)	Air Flow (CFM)	Static Pres. (mm-H <sub>2</sub> O)	Noise (dBA)	Speed (RPM)	Current (mA)	Power (W)	Available Bearing	Additional Function (See Page 3)	Curves
FD4010B05W3-83	5	4.0~5.75	6.80	3.20	24.60	5,600	110	0.55	B,F,S	S	①
FD4010B05W5-83	5	4.0~5.75	8.10	4.50	29.10	6,700	160	0.80	B,F,S	S	②
FD4010B12W3-83	12	6.0~13.8	6.80	3.20	24.60	5,600	80	0.96	B,F,S	S	①
FD4010B12W5-83	12	6.0~13.8	8.10	4.50	29.10	6,600	100	1.20	B,F,S	S	②
FD4010B12W7-83	12	6.0~13.8	9.40	6.00	33.50	7,700	120	1.44	B,F,S	S	③

• For "Fluid Lubricant" or "Sleeve" bearing versions, change the "B" in the model number to "F" or "S" respectively.

Specifications are subject to change without notice



unit: mm(inch)