

DC AXIAL FAN 35x35x10mm



Housing/Blade: Thermoplastic PBT, UL 94V-0
 Insulation Resistance: 10MΩ, 500VDC/min between bare wire and frame
 Dielectric Strength: 5mA max. 500VAC/min between bare wire and frame
 Operation Temperature: -10°C~70°C(Humidity 35%-85%RH)
 Storage Temperature: -40°C~70°C(Humidity 35%-85%RH)
 Lead Wire: UL Type #28 AWG
 Weight: 9 g



SS

SF

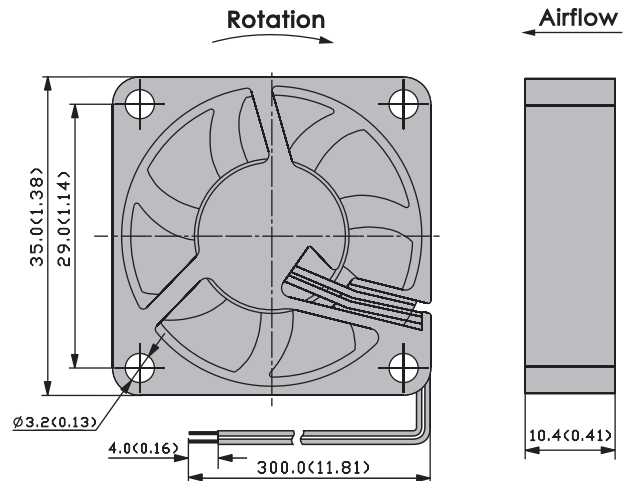
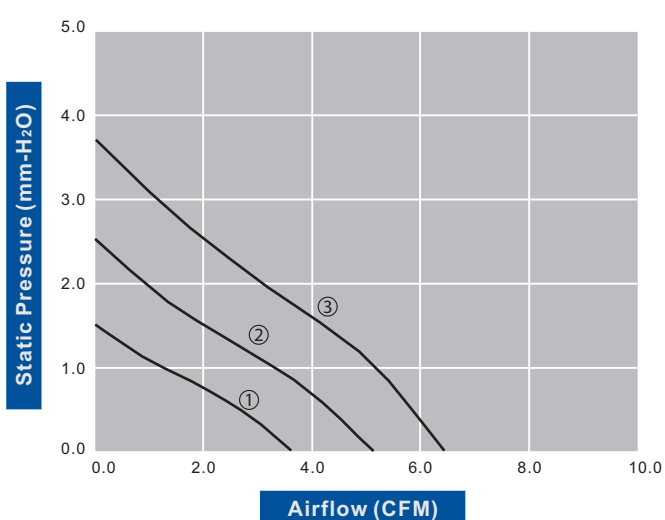


DC Axial Fans

| Model Number | Voltage (VDC) | Op. Voltage (VDC) | Air Flow (CFM) | Static Pres. (mm-H ₂ O) | Noise (dBA) | Speed (RPM) | Current (mA) | Power (W) | Available Bearing | Additional Function (See Page 3) | Curves |
|----------------|---------------|-------------------|----------------|------------------------------------|-------------|-------------|--------------|-----------|-------------------|----------------------------------|--------|
| FD3510B05W3-71 | 5 | 4.0~5.5 | 3.60 | 1.30 | 20.00 | 5,000 | 130 | 0.65 | B,C,L,S | S | ① |
| FD3510B05W5-71 | 5 | 4.0~5.5 | 5.10 | 2.50 | 25.50 | 7,000 | 220 | 1.10 | B,C,L,S | S | ② |
| FD3510B05W7-71 | 5 | 4.0~5.5 | 6.40 | 3.70 | 31.90 | 9,000 | 230 | 1.15 | B,C,L,S | S | ③ |
| FD3510B12W3-71 | 12 | 10.8-13.2 | 3.60 | 1.30 | 20.00 | 5,000 | 80 | 0.96 | B,C,L,S | S | ① |
| FD3510B12W5-71 | 12 | 10.8-13.2 | 5.10 | 2.50 | 25.50 | 7,000 | 110 | 1.32 | B,C,L,S | S | ② |
| FD3510B12W7-71 | 12 | 10.8-13.2 | 6.40 | 3.70 | 31.90 | 9,000 | 140 | 1.68 | B,C,L,S | S | ③ |

• For "One Ball & One Sleeve", "Long Life", or "Sleeve" bearing versions, change the "B" in the model number to "C", "L", or "S" respectively.

Specifications are subject to change without notice



unit: mm(inch)