

# DC AXIAL FAN 30x30x10mm



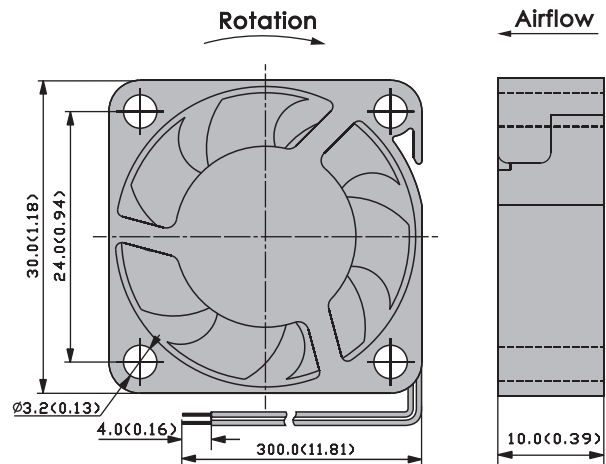
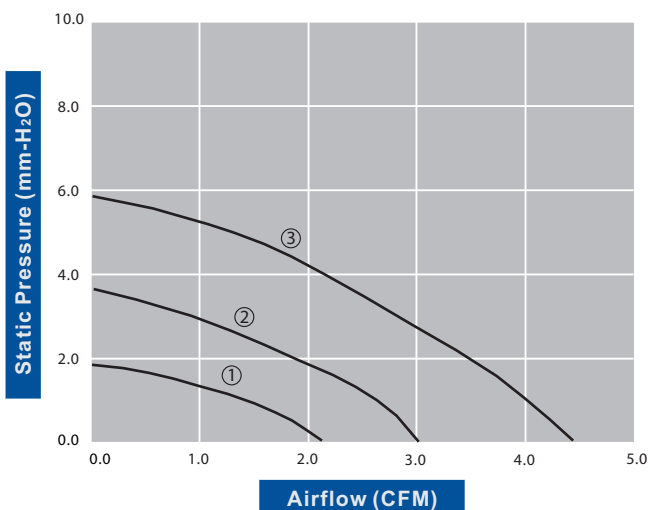
Housing/Blade: Thermoplastic PBT, UL 94V-0  
 Insulation Resistance: 10M $\Omega$ , 500VDC/min between bare wire and frame  
 Dielectric Strength: 5mA max. 500VAC/min between bare wire and frame  
 Operation Temperature: -20°C~70°C(Humidity 15%-90%RH)  
 Storage Temperature: -40°C~85°C(Humidity 15%-90%RH)  
 Lead Wire: UL Type #28 AWG  
 Weight: 8 g



Model Number	Voltage (VDC)	Op.Voltage (VDC)	AirFlow (CFM)	StaticPres. (mm-H <sub>2</sub> O)	Noise (dBA)	Speed (RPM)	Current (mA)	Power (W)	Available Bearing	Additional Function (See Page 3)	Curves
FD3010B03W3-81	3.3	3.0~3.6	2.10	1.80	19.80	6,000	110	0.36	B,L,S	P,U,X	①
FD3010B03W5-81	3.3	3.0~3.6	3.00	3.60	24.40	8,500	230	0.76	B,L,S	P,U,X	②
FD3010B03W7-81	3.3	3.0~3.6	4.40	5.80	31.10	11,000	280	0.92	B,L,S	P,U,X	③
FD3010B05W3-81	5	4.5~5.5	2.10	1.80	19.80	6,000	70	0.35	B,L,S	P,U,X	①
FD3010B05W5-81	5	4.5~5.5	3.00	3.60	24.40	8,500	140	0.70	B,L,S	P,U,X	②
FD3010B05W7-81	5	4.5~5.5	4.40	5.80	31.10	11,000	190	0.95	B,L,S	P,U,X	③
FD3010B12W3-81	12	10.8~13.8	2.10	1.80	19.80	6,000	50	0.60	B,L,S	P,U,X	①
FD3010B12W5-81	12	9.0~13.8	3.00	3.60	24.40	8,500	80	0.96	B,L,S	P,U,X	②
FD3010B12W7-81	12	9.0~13.8	4.40	5.80	31.10	11,000	90	1.08	B,L,S	P,U,X	③

• For "Long Life" or "Sleeve" bearing versions, change the "B" in the model number to "L" or "S" respectively.

Specifications are subject to change without notice



unit:mm(inch)