

DC AXIAL FAN 30x30x06mm



Housing/Blade: Thermoplastic PBT, UL 94V-0
 Insulation Resistance: 10M Ω , 500VDC/min between bare wire and frame
 Dielectric Strength: 5mA max. 500VAC/min between bare wire and frame
 Operation Temperature: -10°C~70°C(Humidity 35%-85%RH)
 Storage Temperature: -40°C~70°C(Humidity 35%-85%RH)
 Lead Wire: UL Type #28 AWG
 Weight: 5 g



SS

SF

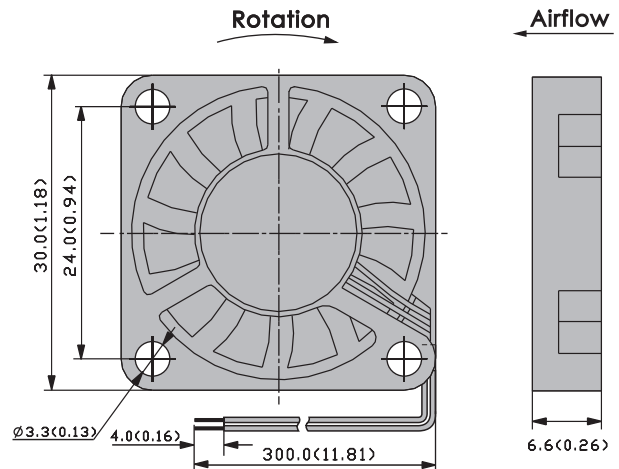
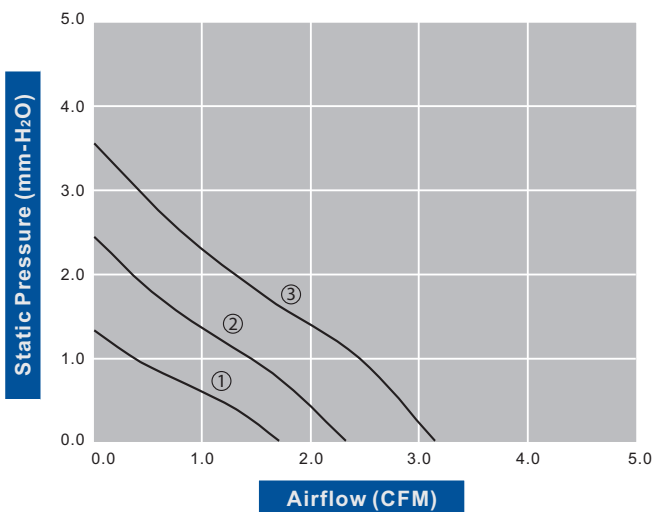


DC Axial Fans

Model Number	Voltage (VDC)	Op. Voltage (VDC)	AirFlow (CFM)	Static Pres. (mm-H ₂ O)	Noise (dBA)	Speed (RPM)	Current (mA)	Power (W)	Available Bearing	Additional Function (See Page 3)	Curves
FD3006B05W5-71	5	4.0~5.5	1.70	1.30	22.00	6,000	120	0.60	B,S	S	①
FD3006B05W7-71	5	4.0~5.5	2.40	2.30	27.80	8,000	200	1.00	B,S	S	②
FD3006B12W5-71	12	10.8~13.2	1.70	1.30	22.00	6,000	90	1.08	B,S	S	①
FD3006B12W7-71	12	10.8~13.2	2.40	2.30	27.80	8,000	100	1.20	B,S	S	②
FD3006B12W9-71	12	10.8~13.2	3.10	3.50	31.50	10,000	120	1.44	B,S	S	③

• For "Sleeve" bearing version, change the "B" in the model number to "S".

Specifications are subject to change without notice



unit: mm(inch)