

DC AXIAL FAN 25x25x10mm



Housing/Blade: Thermoplastic PBT, UL 94V-0
 Insulation Resistance: 10MΩ, 500VDC/min between bare wire and frame
 Dielectric Strength: 5mA max. 500VAC/min between bare wire and frame
 Operation Temperature: -10°C~70°C(Humidity 35%-85%RH)
 Storage Temperature: -40°C~70°C(Humidity 35%-85%RH)
 Lead Wire: UL Type #28 AWG
 Weight: 7 g



SS

SF

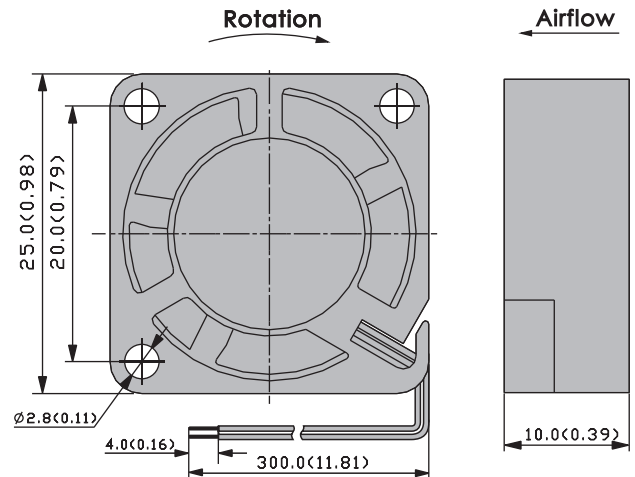
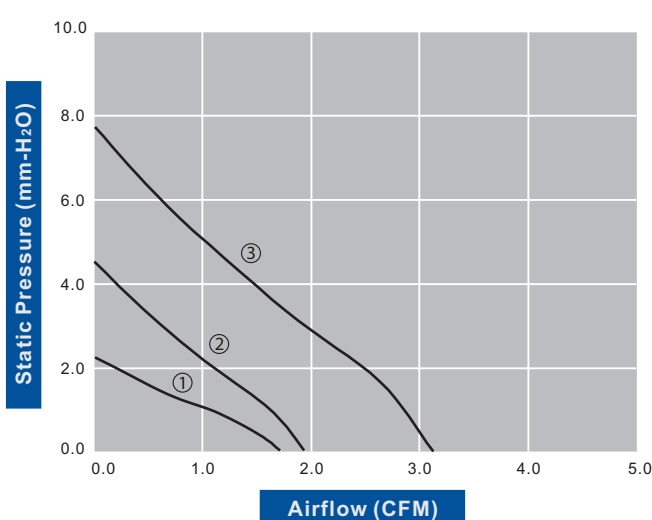


DC Axial Fans

| Model Number | Voltage (VDC) | Op.Voltage (VDC) | AirFlow (CFM) | StaticPres. (mm-H ₂ O) | Noise (dBA) | Speed (RPM) | Current (mA) | Power (W) | Available Bearing | Additional Function (See Page 3) | Curves |
|----------------|---------------|------------------|---------------|-----------------------------------|-------------|-------------|--------------|-----------|-------------------|----------------------------------|--------|
| FD2510B05W3-71 | 5 | 4.0~5.5 | 1.70 | 2.20 | 19.90 | 7,000 | 100 | 0.50 | B,S | S | ① |
| FD2510B05W7-71 | 5 | 4.0~5.5 | 1.90 | 4.50 | 24.70 | 10,000 | 160 | 0.80 | B,S | S | ② |
| FD2510B05W9-71 | 5 | 4.0~5.5 | 3.10 | 7.70 | 33.00 | 13,000 | 200 | 1.00 | B,S | S | ③ |
| FD2510B12W3-71 | 12 | 10.8~13.2 | 1.70 | 2.20 | 19.90 | 7,000 | 60 | 0.72 | B,S | S | ① |
| FD2510B12W7-71 | 12 | 10.8~13.2 | 1.90 | 4.50 | 24.70 | 10,000 | 70 | 0.84 | B,S | S | ② |
| FD2510B12W9-71 | 12 | 10.8~13.2 | 3.10 | 7.70 | 33.00 | 13,000 | 130 | 1.56 | B,S | S | ③ |

• For "Sleeve" bearing version, change the "B" in the model number to "S".

Specifications are subject to change without notice



unit: mm(inch)