

DC AXIAL FAN 20x20x06mm



Housing/Blade: Thermoplastic PBT, UL 94V-0
 Insulation Resistance: 10MΩ, 500VDC/min between bare wire and frame
 Dielectric Strength: 5mA max. 500VAC/min between bare wire and frame
 Operation Temperature: -10°C~70°C(Humidity 35%-85%RH)
 Storage Temperature: -40°C~70°C(Humidity 35%-85%RH)
 Lead Wire: UL Type #28 AWG
 Weight: 4 g



SS

SF

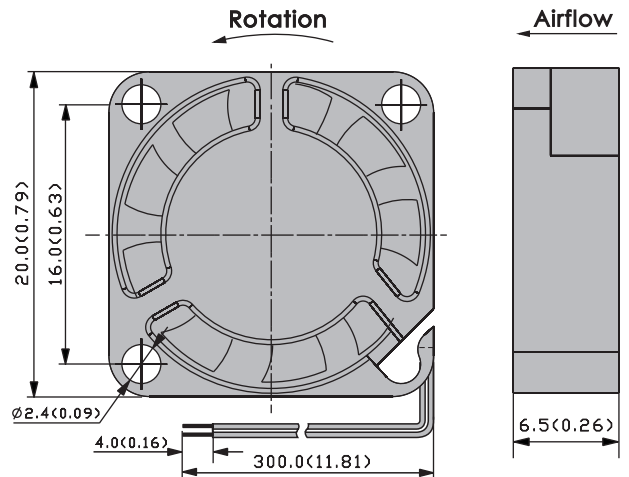
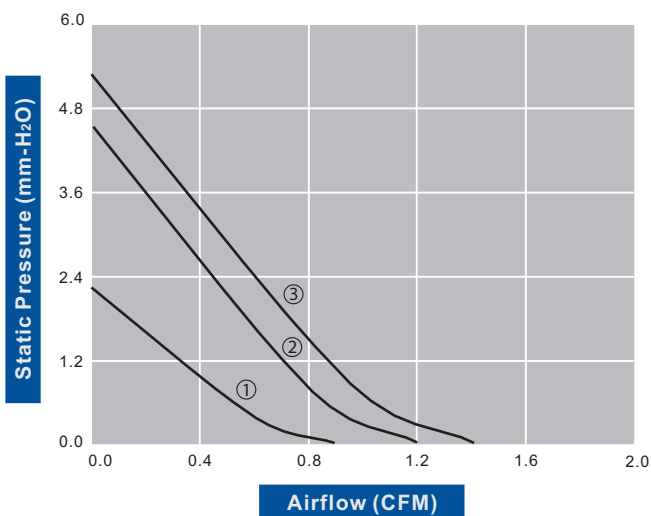


DC Axial Fans

Model Number		Voltage (VDC)	Op.Voltage (VDC)	AirFlow (CFM)	Static Pres. (mm-H ₂ O)	Noise (dBA)	Speed (RPM)	Current (mA)	Power (W)	Available Bearing	Additional Function (See Page 3)	Curves
FD2006B05W5-71	★	5	4.0~5.5	0.90	2.30	26.40	10,000	90	0.45	B,S	P	①
FD2006B05W7-71	★	5	4.0~5.5	1.40	5.30	39.10	15,000	140	0.70	B,S	P	③
FD2006B12W5-71	★	12	10.8-13.2	1.20	4.60	33.80	13,000	70	0.84	B,S	P	②
FD2006B12W7-71	★	12	10.8-13.2	1.40	5.30	39.10	15,000	90	1.08	B,S	P	③

- For "Sleeve" bearing version, change the "B" in the model number to "S"
- If model depicts "★", auto restart protection function built in.

Specifications are subject to change without notice



unit: mm(inch)