

DC AXIAL FAN 172x151x55mm (Metal Housing)



Housing: Die-cast Aluminum

Blade: Thermoplastic PBT, UL 94V-2

Insulation Resistance: 10MΩ, 500VDC/min between bare wire and frame

Dielectric Strength: 5mA max. 500VAC/min between bare wire and frame

Operation Temperature: -10°C~70°C(Humidity 35%-85%RH)

Storage Temperature: -40°C~70°C(Humidity 35%-85%RH)

Lead Wire: UL Type #22 AWG

Weight: 765 g



SS

IP

SF

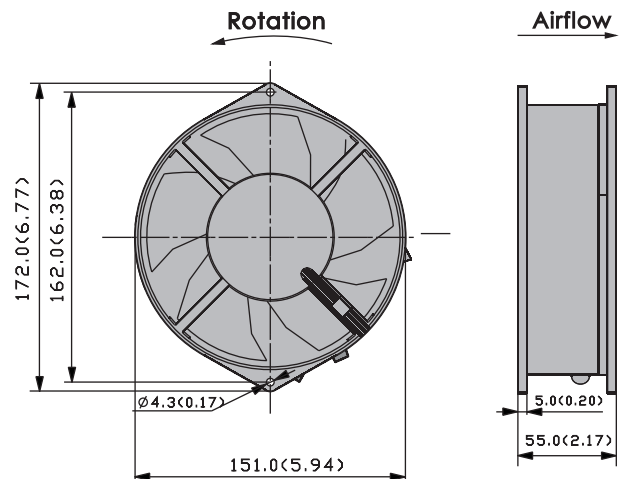
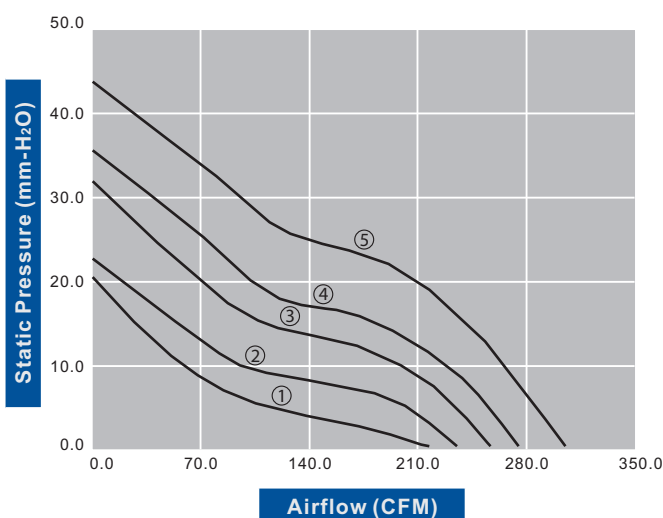


DC Axial Fans

Model Number		Voltage (VDC)	Op. Voltage (VDC)	Air Flow (CFM)	Static Pres. (mm-H ₂ O)	Noise (dBA)	Speed (RPM)	Current (mA)	Power (W)	Available Bearing	Additional Function (See Page 3)	Curves
FD1755B12W1-61	★	12	9.0~13.8	212.50	20.50	53.20	3,100	1,300	15.60	B	P,M,U,X,Y	①
FD1755B12W3-61	★	12	9.0~13.8	229.20	21.40	57.10	3,400	1,800	21.60	B	P,M,U,X,Y	②
FD1755B12W5-61	★	12	9.0~13.8	259.60	31.20	59.10	3,800	2,600	31.20	B	P,M,U,X,Y	③
FD1755B24W1-61	★	24	15.0~27.6	212.50	20.50	53.20	3,100	500	12.00	B	P,M,U,X,Y	①
FD1755B24W3-61	★	24	15.0~27.6	229.20	21.40	57.10	3,400	700	16.80	B	P,M,U,X,Y	②
FD1755B24W5-61	★	24	15.0~27.6	259.60	31.20	59.10	3,800	1,200	28.80	B	P,M,U,X,Y	③
FD1755B24W7-61	★	24	15.0~27.6	274.10	34.70	61.10	4,000	1,400	33.60	B	P,M,U,X,Y	④
FD1755B24W9-61	★	24	15.0~27.6	306.10	43.20	64.00	4,500	2,000	48.00	B	P,M,U,X,Y	⑤
FD1755B48W1-61	★	48	24.0~55.2	212.50	20.50	53.20	3,100	300	14.40	B	P,M,U,X,Y	①
FD1755B48W3-61	★	48	24.0~55.2	229.20	21.40	57.10	3,400	380	18.24	B	P,M,U,X,Y	②
FD1755B48W5-61	★	48	24.0~55.2	259.60	31.20	59.10	3,800	500	24.00	B	P,M,U,X,Y	③
FD1755B48W7-61	★	48	24.0~55.2	274.10	34.70	61.10	4,000	700	33.60	B	P,M,U,X,Y	④
FD1755B48W9-61	★	48	24.0~55.2	306.10	43.20	64.00	4,500	900	43.20	B	P,M,U,X,Y	⑤

★ If model depicts "★", auto restart protection function built in.

Specifications are subject to change without notice



unit: mm(inch)