

DC AXIAL FAN 172x150x51 mm (Metal Housing)



Housing: Die-Cast Aluminum
 Blade: Thermoplastic PBT, UL 94V-0
 Insulation Resistance: 10M Ω , 500VDC/min between bare wire and frame
 Dielectric Strength: 5mA max. 500VAC/min between bare wire and frame
 Operation Temperature: -20°C~70°C(Humidity 15%-90%RH)
 Storage Temperature: -40°C~85°C(Humidity 15%-90%RH)
 Lead Wire: UL Type #22 AWG
 Weight: 792 g



ES

IP

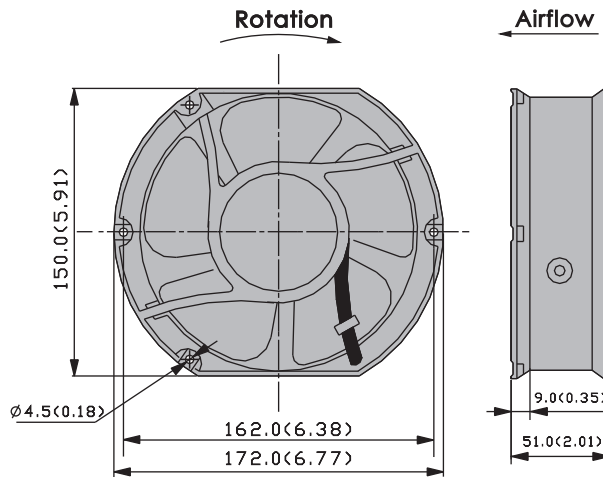
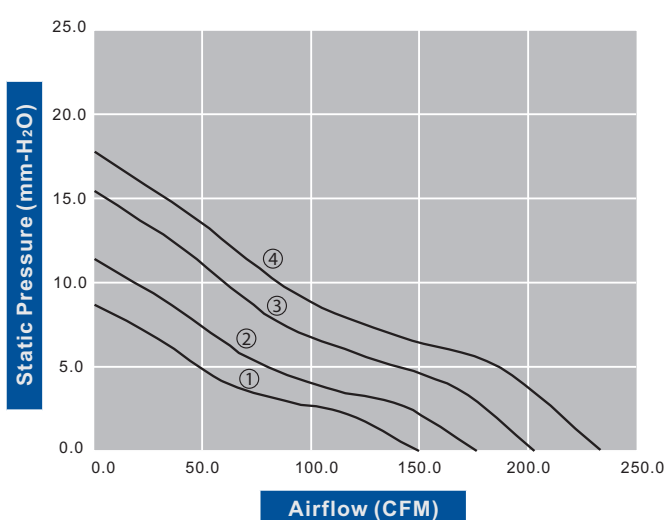
SF



Model Number		Voltage (VDC)	Op. Voltage (VDC)	Air Flow (CFM)	Static Pres. (mm-H ₂ O)	Noise (dBA)	Speed (RPM)	Current (mA)	Power (W)	Available Bearing	Additional Function (See Page 3)	Curves
FD1751B12W3-52	★	12	9.0~13.8	150.00	8.60	46.00	2,200	600	7.20	B	P,X,Y	①
FD1751B12W5-52	★	12	9.0~13.8	174.00	11.20	52.00	2,600	860	10.32	B	P,X,Y	②
FD1751B12W7-52	★	12	9.0~13.8	206.00	15.40	56.00	3,000	1,400	16.80	B	P,X,Y	③
FD1751B12W9-52	★	12	9.0~13.8	229.00	17.90	58.00	3,400	1,900	22.80	B	P,X,Y	④
FD1751B24W3-52	★	24	12.0~27.6	150.00	8.60	46.00	2,200	300	7.20	B	P,X,Y	①
FD1751B24W5-52	★	24	12.0~27.6	174.00	11.20	52.00	2,600	430	10.32	B	P,X,Y	②
FD1751B24W7-52	★	24	12.0~27.6	206.00	15.40	56.00	3,000	650	15.60	B	P,X,Y	③
FD1751B24W9-52	★	24	12.0~27.6	229.00	17.90	58.00	3,400	900	21.60	B	P,X,Y	④
FD1751B48W3-52	★	48	24.0~55.2	150.00	8.60	46.00	2,200	190	9.12	B	P,X,Y	①
FD1751B48W5-52	★	48	24.0~55.2	174.00	11.20	52.00	2,600	280	13.44	B	P,X,Y	②
FD1751B48W7-52	★	48	24.0~55.2	206.00	15.40	56.00	3,000	400	19.20	B	P,X,Y	③
FD1751B48W9-52	★	48	24.0~55.2	229.00	17.90	58.00	3,400	520	24.96	B	P,X,Y	④

• If model depicts "★", auto restart protection function built in.

Specifications are subject to change without notice



unit: mm(inch)