

DC AXIAL FAN

Ø 172x51mm

(Metal Housing)



Housing: Die-cast Aluminum

Blade: Thermoplastic PBT, UL 94V-2

Insulation Resistance: 10MΩ, 500VDC/min between bare wire and frame

Dielectric Strength: 5mA max. 500VAC/min between bare wire and frame

Operation Temperature: -10°C~70°C(Humidity 35%-85%RH)

Storage Temperature: -40°C~70°C(Humidity 35%-85%RH)

Lead Wire: UL Type #22 AWG

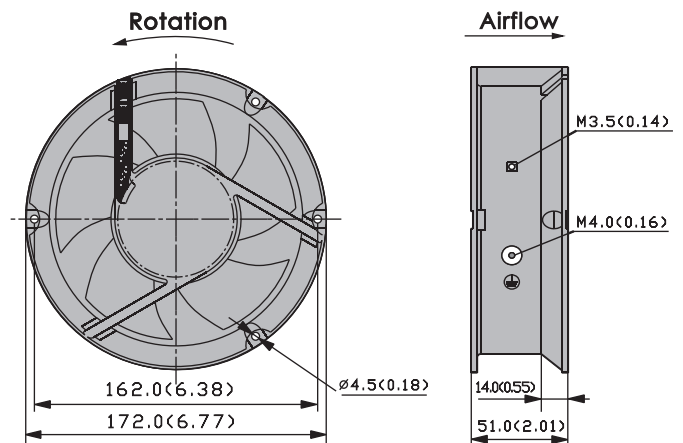
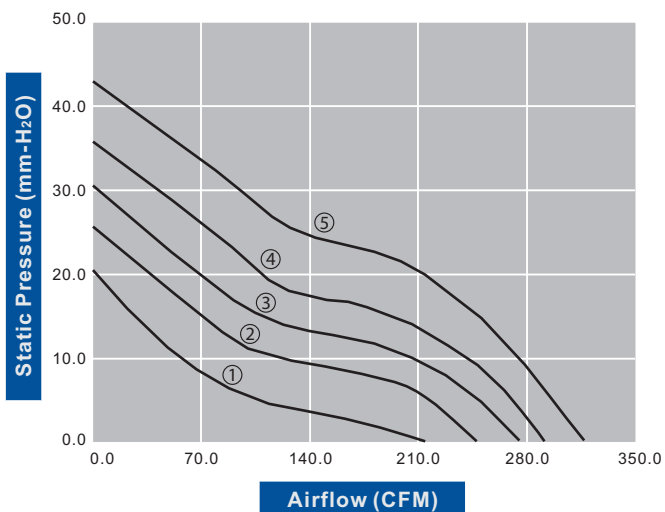
Weight: 830 g



| Model Number | | Voltage (VDC) | Op. Voltage (VDC) | AirFlow (CFM) | Static Pres. (mm-H ₂ O) | Noise (dBA) | Speed (RPM) | Current (mA) | Power (W) | Available Bearing | Additional Function (See Page 3) | Curves |
|----------------|---|---------------|-------------------|---------------|------------------------------------|-------------|-------------|--------------|-----------|-------------------|----------------------------------|--------|
| FD1751B12W1-65 | ★ | 12 | 9.0~13.8 | 215.00 | 20.10 | 53.20 | 3,100 | 1,300 | 15.60 | B | P,M,U,X,Y | ① |
| FD1751B12W3-65 | ★ | 12 | 9.0~13.8 | 238.50 | 24.80 | 55.20 | 3,400 | 1,800 | 21.60 | B | P,M,U,X,Y | ② |
| FD1751B12W5-65 | ★ | 12 | 9.0~13.8 | 271.70 | 30.70 | 58.10 | 3,800 | 2,600 | 31.20 | B | P,M,U,X,Y | ③ |
| FD1751B24W1-65 | ★ | 24 | 15.0~27.6 | 215.00 | 20.10 | 53.20 | 3,100 | 500 | 12.00 | B | P,M,U,X,Y | ① |
| FD1751B24W3-65 | ★ | 24 | 15.0~27.6 | 238.50 | 24.80 | 55.20 | 3,400 | 700 | 16.80 | B | P,M,U,X,Y | ② |
| FD1751B24W5-65 | ★ | 24 | 15.0~27.6 | 271.70 | 30.70 | 58.10 | 3,800 | 1,200 | 28.80 | B | P,M,U,X,Y | ③ |
| FD1751B24W7-65 | ★ | 24 | 15.0~27.6 | 289.30 | 35.30 | 60.10 | 4,000 | 1,400 | 33.60 | B | P,M,U,X,Y | ④ |
| FD1751B24W9-65 | ★ | 24 | 15.0~27.6 | 321.70 | 42.80 | 62.10 | 4,500 | 2,000 | 48.00 | B | P,M,U,X,Y | ⑤ |
| FD1751B48W1-65 | ★ | 48 | 24.0~55.2 | 215.00 | 20.10 | 53.20 | 3,100 | 300 | 14.40 | B | P,M,U,X,Y | ① |
| FD1751B48W3-65 | ★ | 48 | 24.0~55.2 | 238.50 | 24.80 | 55.20 | 3,400 | 380 | 18.24 | B | P,M,U,X,Y | ② |
| FD1751B48W5-65 | ★ | 48 | 24.0~55.2 | 271.70 | 30.70 | 58.10 | 3,800 | 500 | 24.00 | B | P,M,U,X,Y | ③ |
| FD1751B48W7-65 | ★ | 48 | 24.0~55.2 | 289.30 | 35.30 | 60.10 | 4,000 | 700 | 33.60 | B | P,M,U,X,Y | ④ |
| FD1751B48W9-65 | ★ | 48 | 24.0~55.2 | 321.70 | 42.80 | 62.10 | 4,500 | 900 | 43.20 | B | P,M,U,X,Y | ⑤ |

• If model depicts "★", auto restart protection function built in.

Specifications are subject to change without notice



unit: mm(inch)