

# DC AXIAL FAN 15x15x06mm



Housing/Blade: Thermoplastic PBT, UL 94V-0  
 Insulation Resistance: 10MΩ, 500VDC/min between bare wire and frame  
 Dielectric Strength: 5mA max. 500VAC/min between bare wire and frame  
 Operation Temperature: -10°C~70°C(Humidity 35%-85%RH)  
 Storage Temperature: -40°C~70°C(Humidity 35%-85%RH)  
 Lead Wire: UL Type #30 AWG  
 Weight: 2.3 g



SS SF

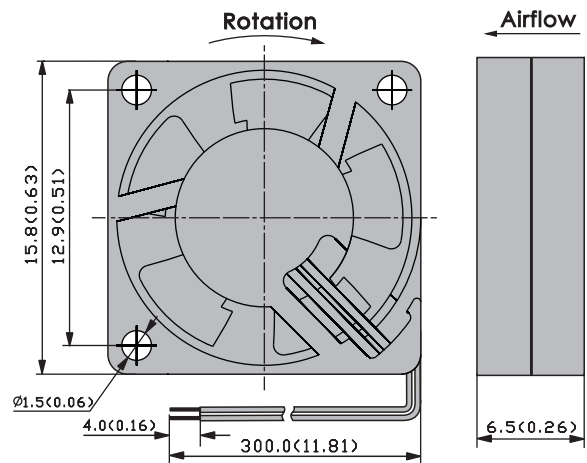
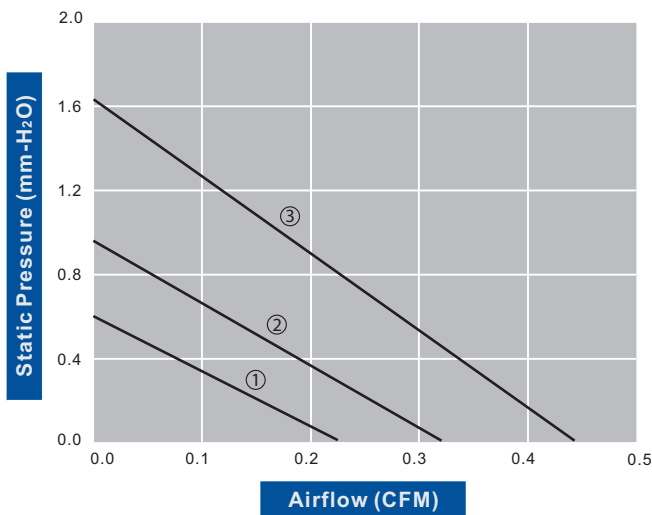


DC Axial Fans

Model Number		Voltage (VDC)	Op. Voltage (VDC)	Air Flow (CFM)	Static Pres. (mm-H <sub>2</sub> O)	Noise (dBA)	Speed (RPM)	Current (mA)	Power (W)	Available Bearing	Additional Function (See Page 3)	Curves
FD1506S05W3-71	★	5	4.0~6.0	0.23	0.62	18.4	8,000	40	0.20	S	P	①
FD1506S05W5-71	★	5	4.0~6.0	0.32	0.97	18.5	10,000	50	0.25	S	P	②
FD1506S05W7-71	★	5	4.0~6.0	0.44	1.62	19.3	13,000	60	0.30	S	P	③

• If model depicts "★", auto restart protection function built in.

Specifications are subject to change without notice



unit: mm(inch)