

# DC AXIAL FAN 120x120x38mm (Stator Outlet Blade)



Housing/Blade: Thermoplastic PBT, UL 94V-0  
 Insulation Resistance: 10M $\Omega$ , 500VDC/min between bare wire and frame  
 Dielectric Strength: 5mA max. 500VAC/min between bare wire and frame  
 Operation Temperature: -10°C~70°C(Humidity 35%-85%RH)  
 Storage Temperature: -40°C~70°C(Humidity 35%-85%RH)  
 Lead Wire: UL Type #24 AWG  
 Weight: 350 g



SS IP SF

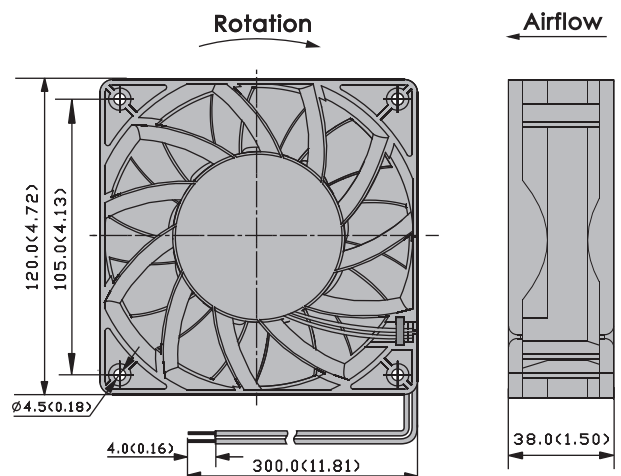
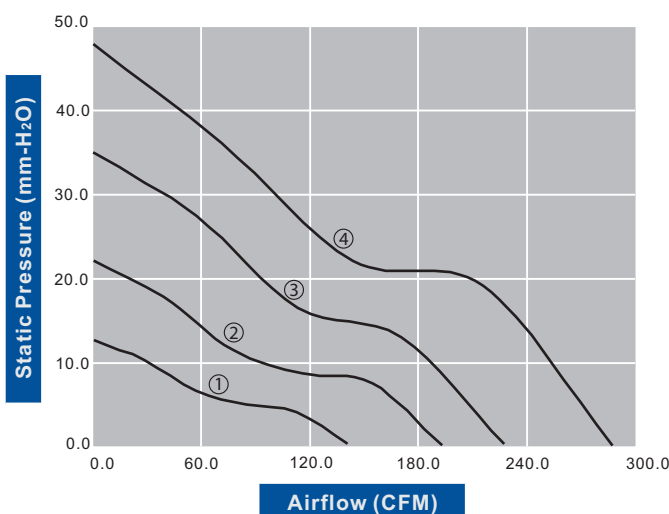


DC Axial Fans

| Model Number   |   | Voltage (VDC) | Op.Voltage (VDC) | AirFlow (CFM) | StaticPres. (mm-H <sub>2</sub> O) | Noise (dBA) | Speed (RPM) | Current (mA) | Power (W) | Available Bearing | Additional Function (See Page 3) | Curves |
|----------------|---|---------------|------------------|---------------|-----------------------------------|-------------|-------------|--------------|-----------|-------------------|----------------------------------|--------|
| FD1238B12W2-63 | ★ | 12            | 6.0~13.8         | 141.90        | 12.10                             | 51.20       | 3,000       | 1,500        | 18.00     | B,S               | P,M,U,X,Y                        | ①      |
| FD1238B12W3-63 | ★ | 12            | 6.0~13.8         | 191.40        | 21.90                             | 58.10       | 4,000       | 2,000        | 24.00     | B,S               | P,M,U,X,Y                        | ②      |
| FD1238B12W5-63 | ★ | 12            | 6.0~13.8         | 229.40        | 34.90                             | 64.00       | 5,000       | 3,600        | 43.20     | B,S               | P,M,U,X,Y                        | ③      |
| FD1238B24W2-63 | ★ | 24            | 12.0~27.6        | 141.90        | 12.10                             | 51.20       | 3,000       | 600          | 14.40     | B,S               | P,M,U,X,Y                        | ①      |
| FD1238B24W3-63 | ★ | 24            | 12.0~27.6        | 191.40        | 21.90                             | 58.10       | 4,000       | 1,100        | 26.40     | B,S               | P,M,U,X,Y                        | ②      |
| FD1238B24W5-63 | ★ | 24            | 12.0~27.6        | 229.40        | 34.90                             | 64.00       | 5,000       | 1,700        | 40.80     | B,S               | P,M,U,X,Y                        | ③      |
| FD1238B48W2-63 | ★ | 48            | 24.0~55.2        | 141.90        | 12.10                             | 51.20       | 3,000       | 330          | 15.84     | B,S               | P,M,U,X,Y                        | ①      |
| FD1238B48W3-63 | ★ | 48            | 24.0~55.2        | 191.40        | 21.90                             | 58.10       | 4,000       | 380          | 18.24     | B,S               | P,M,U,X,Y                        | ②      |
| FD1238B48W5-63 | ★ | 48            | 24.0~55.2        | 229.40        | 34.90                             | 64.00       | 5,000       | 850          | 40.80     | B,S               | P,M,U,X,Y                        | ③      |
| FD1238B48W7-63 | ★ | 48            | 24.0~55.2        | 287.20        | 47.60                             | 69.00       | 6,000       | 1,300        | 62.40     | B,S               | P,M,U,X,Y                        | ④      |

- For "Sleeve" bearing version, change the "B" in the model number to "S".
- If model depicts "★", auto restart protection function built in.

Specifications are subject to change without notice



unit: mm(inch)