

DC AXIAL FAN 120x120x38mm



Housing/Blade: Thermoplastic PBT, UL 94V-0
 Insulation Resistance: 10M Ω , 500VDC/min between bare wire and frame
 Dielectric Strength: 5mA max. 500VAC/min between bare wire and frame
 Operation Temperature: -10°C~70°C(Humidity 35%-85%RH)
 Storage Temperature: -40°C~70°C(Humidity 35%-85%RH)
 Lead Wire: UL Type #24 AWG
 Weight: 290 g



SS

IP

SF

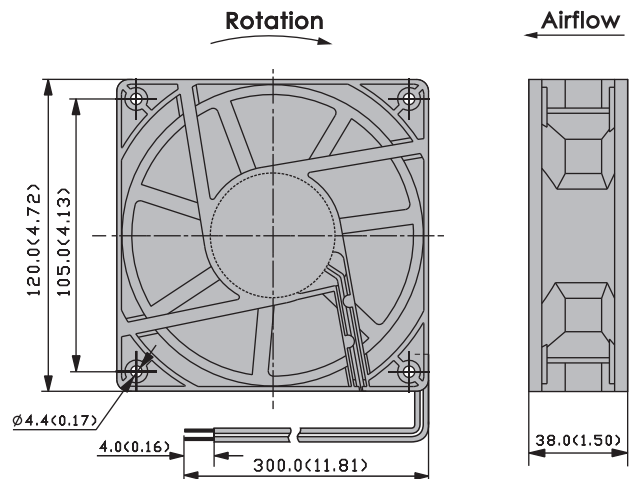
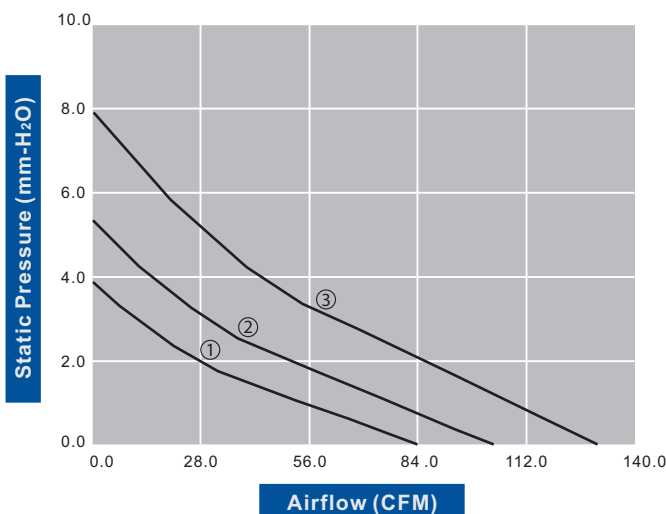


DC Axial Fans

Model Number	Voltage (VDC)	Op.Voltage (VDC)	AirFlow (CFM)	StaticPres. (mm-H ₂ O)	Noise (dBA)	Speed (RPM)	Current (mA)	Power (W)	Available Bearing	Additional Function (See Page 3)	Curves
FD1238B12W2-61	★ 12	6.0~13.8	84.40	3.80	36.40	2,000	230	2.76	B,S	P,M,U,X,Y	①
FD1238B12W3-61	★ 12	6.0~13.8	101.90	5.30	40.40	2,400	350	4.20	B,S	P,M,U,X,Y	②
FD1238B12W7-61	★ 12	6.0~13.8	128.50	7.90	46.30	3,000	600	7.20	B,S	P,M,U,X,Y	③
FD1238B24W2-61	★ 24	12.0~27.6	84.40	3.80	36.40	2,000	130	3.12	B,S	P,M,U,X,Y	①
FD1238B24W3-61	★ 24	12.0~27.6	101.90	5.30	40.40	2,400	170	4.08	B,S	P,M,U,X,Y	②
FD1238B24W7-61	★ 24	12.0~27.6	128.50	7.90	46.30	3,000	390	9.36	B,S	P,M,U,X,Y	③
FD1238B48W2-61	★ 48	24.0~55.2	84.40	3.80	36.40	2,000	80	3.84	B,S	P,M,U,X,Y	①
FD1238B48W3-61	★ 48	24.0~55.2	101.90	5.30	40.40	2,400	110	5.28	B,S	P,M,U,X,Y	②
FD1238B48W7-61	★ 48	24.0~55.2	128.50	7.90	46.30	3,000	190	9.12	B,S	P,M,U,X,Y	③

- For "Sleeve" bearing version, change the "B" in the model number to "S".
- If model depicts "★", auto restart protection function built in.

Specifications are subject to change without notice



unit: mm(inch)