

DC AXIAL FAN 120x120x38mm



Housing/Blade: Thermoplastic PBT, UL 94V-0
 Insulation Resistance: 10M Ω , 500VDC/min between bare wire and frame
 Dielectric Strength: 5mA max, 500VAC/min between bare wire and frame
 Operation Temperature: -20°C~70°C(Humidity 15%-90%RH)
 Storage Temperature: -40°C~85°C(Humidity 15%-90%RH)
 Lead Wire: UL Type #22 AWG
 Weight: 220 g



ES

IP

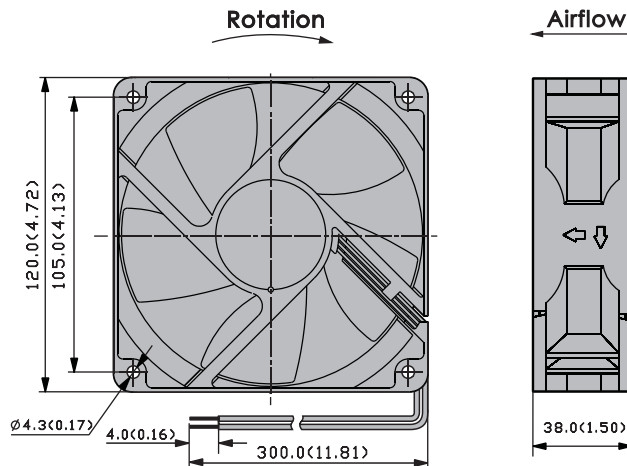
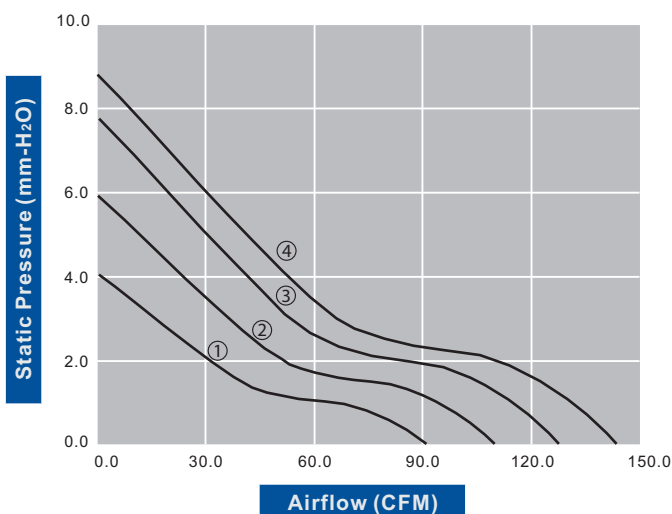
SF



Model Number		Voltage (VDC)	Op. Voltage (VDC)	Air Flow (CFM)	Static Pres. (mm-H ₂ O)	Noise (dBA)	Speed (RPM)	Current (mA)	Power (W)	Available Bearing	Additional Function (See Page 3)	Curves
FD1238B12W3-11	★	12	7.0~13.2	90.80	4.00	35.50	2,000	320	3.84	B,S	P,X,Y	①
FD1238B12W5-11	★	12	7.0~13.2	108.60	5.90	40.40	2,400	400	4.80	B,S	P,X,Y	②
FD1238B12W7-11	★	12	7.0~13.2	127.40	7.70	44.30	2,800	660	7.92	B,S	P,X,Y	③
FD1238B12W9-11	★	12	7.0~13.2	137.00	8.70	46.30	3,000	830	9.96	B,S	P,X,Y	④
FD1238B24W3-11	★	24	12.0~26.4	90.80	4.00	35.50	2,000	150	3.60	B,S	P,X,Y	①
FD1238B24W5-11	★	24	12.0~26.4	108.60	5.90	40.40	2,400	250	6.00	B,S	P,X,Y	②
FD1238B24W7-11	★	24	12.0~26.4	127.40	7.70	44.30	2,800	310	7.44	B,S	P,X,Y	③
FD1238B24W9-11	★	24	12.0~26.4	137.00	8.70	46.30	3,000	410	9.84	B,S	P,X,Y	④
FD1238B48W3-11	★	48	24.0~56.0	90.80	4.00	35.50	2,000	120	5.76	B,S	P,X,Y	①
FD1238B48W5-11	★	48	24.0~56.0	108.60	5.90	40.40	2,400	140	6.72	B,S	P,X,Y	②
FD1238B48W7-11	★	48	24.0~56.0	127.40	7.70	44.30	2,800	180	8.64	B,S	P,X,Y	③
FD1238B48W9-11	★	48	24.0~56.0	137.00	8.70	46.30	3,000	210	10.08	B,S	P,X,Y	④

- For "Sleeve" bearing version, change the "B" in the model number to "S".
- If model depicts "★", auto restart protection function built in.

Specifications are subject to change without notice



unit: mm(inch)