

DC AXIAL FAN 120x120x38mm



Housing/Blade: Thermoplastic PBT, UL 94V-0
 Insulation Resistance: 10M Ω , 500VDC/min between bare wire and frame
 Dielectric Strength: 5mA max, 500VAC/min between bare wire and frame
 Operation Temperature: -20°C~70°C(Humidity 15%-90%RH)
 Storage Temperature: -40°C~85°C(Humidity 15%-90%RH)
 Lead Wire: UL Type #24 AWG
 Weight: 375 g

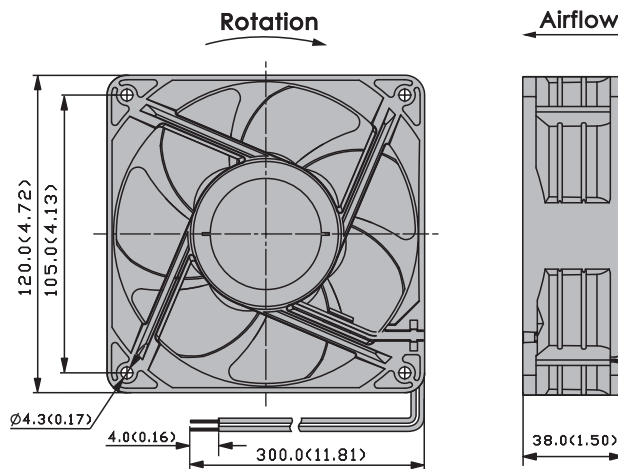
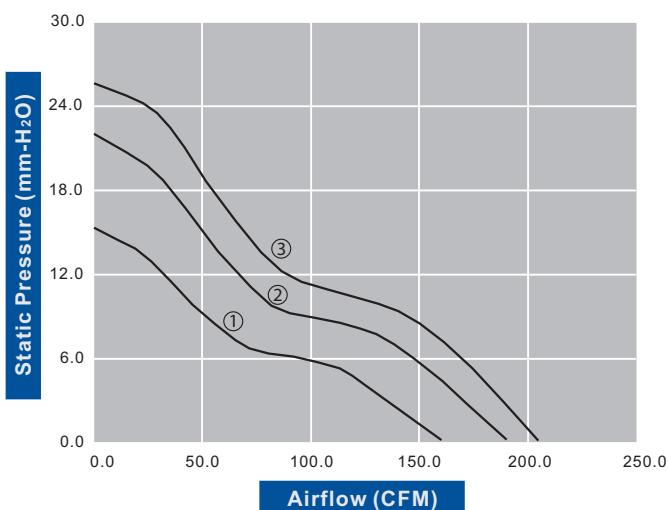


- High Airflow
- High Static Pressure

| Model Number | | Voltage (VDC) | Op. Voltage (VDC) | Air Flow (CFM) | Static Pres. (mm-H ₂ O) | Noise (dBA) | Speed (RPM) | Current (mA) | Power (W) | Available Bearing | Additional Function (See Page 3) | Curves |
|----------------|---|---------------|-------------------|----------------|------------------------------------|-------------|-------------|--------------|-----------|-------------------|----------------------------------|--------|
| FD1238B12W3-84 | ★ | 12 | 6.0~13.8 | 159.30 | 15.80 | 50.20 | 3,500 | 730 | 8.76 | B | P,M,U,X,Y | ① |
| FD1238B12W5-84 | ★ | 12 | 6.0~13.8 | 184.80 | 21.80 | 54.70 | 4,100 | 1,080 | 12.96 | B | P,M,U,X,Y | ② |
| FD1238B12W7-84 | ★ | 12 | 6.0~13.8 | 203.90 | 25.40 | 58.60 | 4,600 | 1,400 | 16.80 | B | P,M,U,X,Y | ③ |
| FD1238B24W3-84 | ★ | 24 | 16.0~27.6 | 159.30 | 15.80 | 50.20 | 3,500 | 350 | 8.40 | B | P,M,U,X,Y | ① |
| FD1238B24W5-84 | ★ | 24 | 16.0~27.6 | 184.80 | 21.80 | 54.70 | 4,100 | 550 | 13.20 | B | P,M,U,X,Y | ② |
| FD1238B24W7-84 | ★ | 24 | 16.0~27.6 | 203.90 | 25.40 | 58.60 | 4,600 | 700 | 16.80 | B | P,M,U,X,Y | ③ |
| FD1238B48W3-84 | ★ | 48 | 30.0~55.2 | 159.30 | 15.80 | 50.20 | 3,500 | 180 | 8.64 | B | P,M,U,X,Y | ① |
| FD1238B48W5-84 | ★ | 48 | 30.0~55.2 | 184.80 | 21.80 | 54.70 | 4,100 | 270 | 12.96 | B | P,M,U,X,Y | ② |
| FD1238B48W7-84 | ★ | 48 | 30.0~55.2 | 203.90 | 25.40 | 58.60 | 4,600 | 360 | 17.28 | B | P,M,U,X,Y | ③ |

● If model depicts "★", auto restart protection function built in.

Specifications are subject to change without notice



unit: mm(inch)