

DC AXIAL FAN 120x120x38mm



Housing/Blade: Thermoplastic PBT, UL 94V-0
 Insulation Resistance: 10MΩ, 500VDC/min between bare wire and frame
 Dielectric Strength: 5mA max, 500VAC/min between bare wire and frame
 Operation Temperature: -20°C~70°C(Humidity 15%-90%RH)
 Storage Temperature: -40°C~85°C(Humidity 15%-90%RH)
 Lead Wire: UL Type #24 AWG
 Weight: 214 g

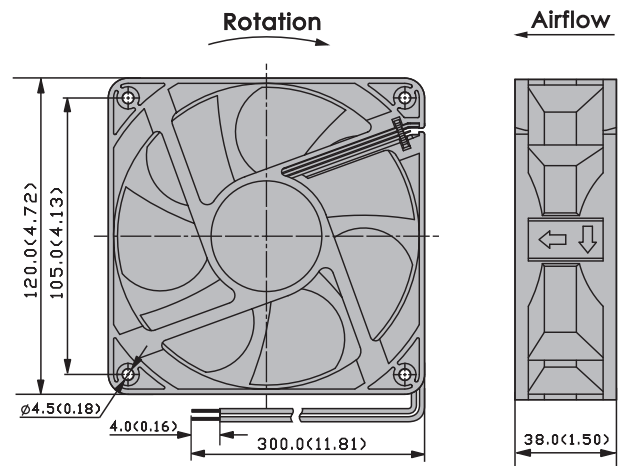
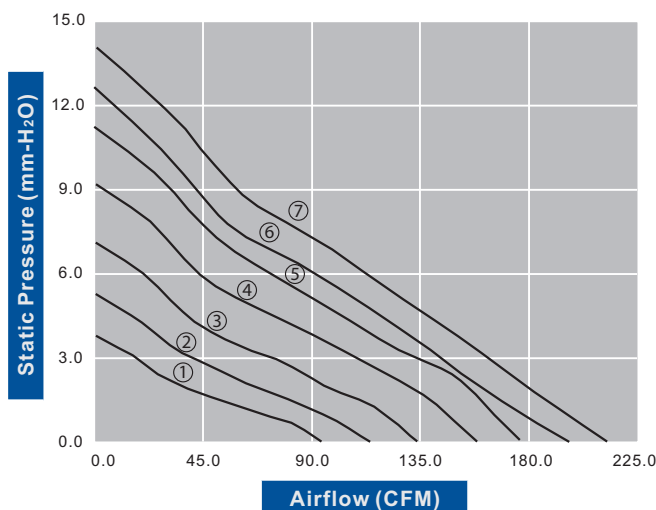


● High Airflow

Model Number		Voltage (VDC)	Op. Voltage (VDC)	Air Flow (CFM)	Static Pres. (mm-H ₂ O)	Noise (dBA)	Speed (RPM)	Current (mA)	Power (W)	Available Bearing	Additional Function (See Page 3)	Curves
FD1238B12W3-81	★	12	8.0~13.8	96.40	3.90	37.90	2,200	310	3.72	B	P,M,U,X,Y	①
FD1238B12W5-81	★	12	8.0~13.8	115.10	5.50	42.40	2,400	400	4.80	B	P,M,U,X,Y	②
FD1238B12W7-81	★	12	8.0~13.8	134.00	7.20	46.30	2,800	680	8.16	B	P,M,U,X	③
FD1238B12W9-81	★	12	8.0~13.8	154.50	9.30	49.70	3,200	970	11.64	B	P,M,U,X	④
FD1238B12W11-81	★※	12	8.0~13.8	172.70	11.50	53.20	3,600	1,150	13.80	B	P,M,U,X	⑤
FD1238B12W12-81	★※	12	8.0~12.6	195.00	12.90	56.10	4,000	1,550	18.60	B	P,M,U,X	⑥
FD1238B12W13-81	★※	12	8.0~12.6	204.50	14.30	57.10	4,200	2,200	26.40	B	P,M,U,X	⑦
FD1238B24W3-81	★	24	12.0~27.6	96.40	3.90	37.90	2,200	160	3.84	B	P,M,U,X,Y	①
FD1238B24W5-81	★	24	12.0~27.6	115.10	5.50	42.40	2,400	230	5.52	B	P,M,U,X,Y	②
FD1238B24W7-81	★	24	12.0~27.6	134.00	7.20	46.30	2,800	400	9.60	B	P,M,U,X	③
FD1238B24W9-81	★	24	12.0~27.6	154.50	9.30	49.70	3,200	440	10.56	B	P,M,U,X	④
FD1238B24W11-81	★※	24	12.0~27.6	172.70	11.50	53.20	3,600	680	16.32	B	P,M,U,X	⑤
FD1238B24W12-81	★※	24	12.0~27.6	195.00	12.90	56.10	4,000	800	19.20	B	P,M,U,X	⑥
FD1238B24W13-81	★※	24	12.0~27.6	204.50	14.30	57.10	4,200	870	20.88	B	P,M,U,X	⑦
FD1238B48W3-81	★	48	24.0~52.8	96.40	3.90	37.90	2,200	80	3.84	B	P,M,U,X	①
FD1238B48W5-81	★	48	24.0~52.8	115.10	5.50	42.40	2,400	180	8.64	B	P,M,U,X	②
FD1238B48W7-81	★	48	24.0~52.8	134.00	7.20	46.30	2,800	240	11.52	B	P,M,U,X	③
FD1238B48W9-81	★	48	24.0~52.8	154.50	9.30	49.70	3,200	250	12.00	B	P,M,U,X	④

- If model depicts "★", auto restart protection function built in.
- If model depicts "※", UL and TUV approvals can be implemented upon request.

Specifications are subject to change without notice



unit: mm(inch)