

DC AXIAL FAN 120x120x38mm (Stator Outlet Blade)



Housing/Blade: Thermoplastic PBT, UL 94V-0
 Insulation Resistance: 10M Ω , 500VDC/min between bare wire and frame
 Dielectric Strength: 5mA max, 500VAC/min between bare wire and frame
 Operation Temperature: -20°C~70°C(Humidity 15%-90%RH)
 Storage Temperature: -40°C~85°C(Humidity 15%-90%RH)
 Lead Wire: UL Type #24 AWG
 Weight: 415 g



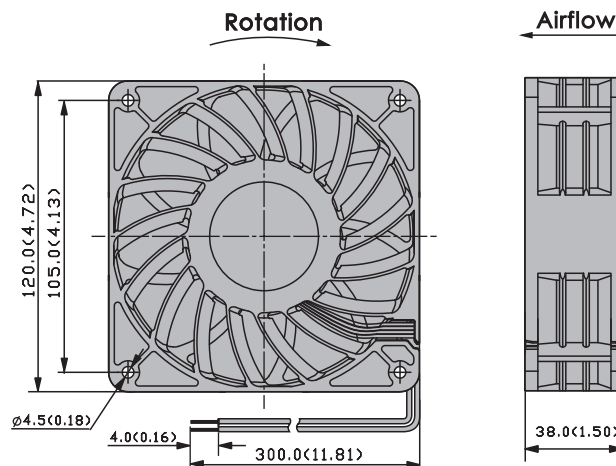
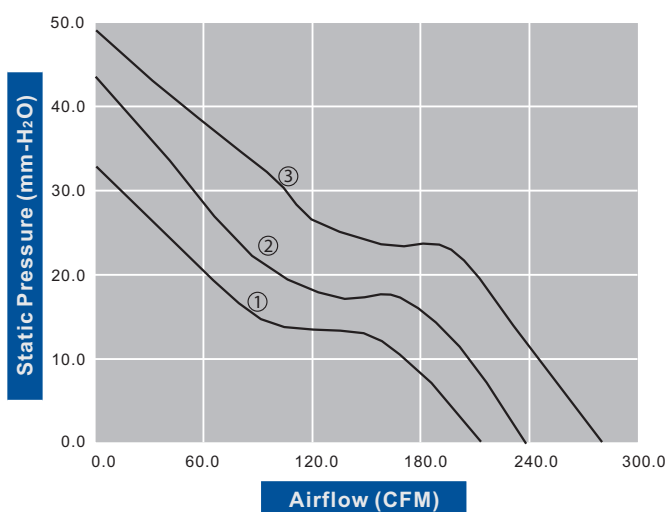
ES IP SF

- High Airflow
- Extremely High Static Pressure

Model Number		Voltage (VDC)	Op. Voltage (VDC)	AirFlow (CFM)	Static Pres. (mm-H ₂ O)	Noise (dBA)	Speed (RPM)	Current (mA)	Power (W)	Available Bearing	Additional Function (See Page 3)	Curves
FD1238B12W3-85	★	12	6.0~13.8	209.40	33.00	58.60	4,700	2000	24.00	B	P,M,U,X,Y	①
FD1238B12W5-85	★	12	6.0~13.8	238.60	44.40	64.50	5,700	3000	36.00	B	P,M,U,X,Y	②
FD1238B12W7-85	★	12	6.0~13.8	275.30	48.70	67.50	6,500	4350	52.20	B	P,M,U,X,Y	③
FD1238B24W3-85	★	24	16.0~27.6	209.40	33.00	58.60	4,700	860	20.64	B	P,M,U,X,Y	①
FD1238B24W5-85	★	24	16.0~27.6	238.60	44.40	64.50	5,700	1400	33.60	B	P,M,U,X,Y	②
FD1238B24W7-85	★	24	16.0~27.6	275.30	48.70	67.50	6,500	2100	50.40	B	P,M,U,X,Y	③
FD1238B48W3-85	★	48	30.0~55.2	209.40	33.00	58.60	4,700	430	20.64	B	P,M,U,X,Y	①
FD1238B48W5-85	★	48	30.0~55.2	238.60	44.40	64.50	5,700	700	33.60	B	P,M,U,X,Y	②
FD1238B48W7-85	★	48	30.0~55.2	275.30	48.70	67.50	6,500	1000	48.00	B	P,M,U,X,Y	③

● If model depicts "★", auto restart protection function built in.

Specifications are subject to change without notice



unit: mm(inch)