

DC AXIAL FAN 120x120x32mm



Housing/Blade: Thermoplastic PBT, UL 94V-0
 Insulation Resistance: 10MΩ, 500VDC/min between bare wire and frame
 Dielectric Strength: 5mA max. 500VAC/min between bare wire and frame
 Operation Temperature: -10°C~70°C(Humidity 35%-85%RH)
 Storage Temperature: -40°C~70°C(Humidity 35%-85%RH)
 Lead Wire: UL Type #22 AWG
 Weight: 250 g



SS

IP

SF

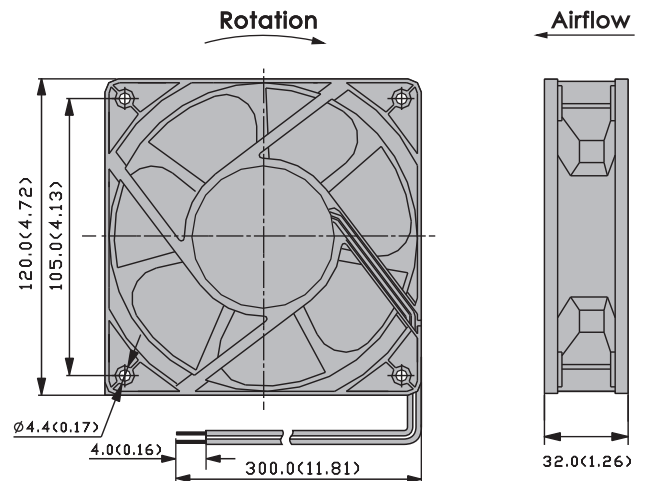
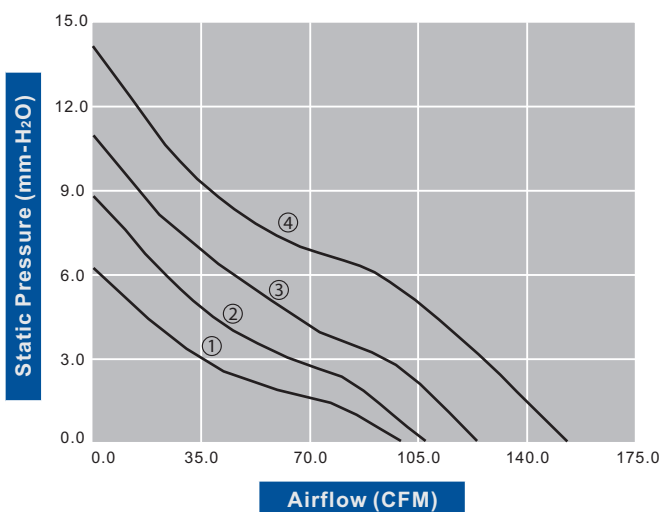


DC Axial Fans

Model Number		Voltage (VDC)	Op.Voltage (VDC)	AirFlow (CFM)	Static Pres. (mm-H ₂ O)	Noise (dBA)	Speed (RPM)	Current (mA)	Power (W)	Available Bearing	Additional Function (See Page 3)	Curves
FD1232B12W3-61	★	12	6.0~13.8	94.40	7.00	43.30	2,900	310	3.72	B,S	P,M,U,X,Y	①
FD1232B12W5-61	★	12	6.0~13.8	108.20	8.70	47.30	3,300	500	6.00	B,S	P,M,U,X,Y	②
FD1232B12W7-61	★	12	6.0~13.8	122.20	10.90	50.20	3,750	600	7.20	B,S	P,M,U,X,Y	③
FD1232B24W3-61	★	24	12.0~27.6	94.40	7.00	43.30	2,900	160	3.84	B,S	P,M,U,X,Y	①
FD1232B24W5-61	★	24	12.0~27.6	108.20	8.70	47.30	3,300	220	5.28	B,S	P,M,U,X,Y	②
FD1232B24W7-61	★	24	12.0~27.6	122.20	10.90	50.20	3,750	280	6.72	B,S	P,M,U,X,Y	③
FD1232B48W3-61	★	48	24.0~55.2	94.40	7.00	43.30	2,900	130	6.24	B,S	P,M,U,X,Y	①
FD1232B48W5-61	★	48	24.0~55.2	108.20	8.70	47.30	3,300	150	7.20	B,S	P,M,U,X,Y	②
FD1232B48W7-61	★	48	24.0~55.2	122.20	10.90	50.20	3,750	180	8.64	B,S	P,M,U,X,Y	③
FD1232B60W9-61	★	60	36.0~72.0	153.40	14.00	54.20	4,400	300	18.0	B	P,M,U,X,Y	④

- For "Sleeve" bearing version, change the "B" in the model number to "S".
- If model depicts "★", auto restart protection function built in.

Specifications are subject to change without notice



unit: mm(inch)