

DC AXIAL FAN 120x120x25mm



Housing/Blade: Thermoplastic PBT, UL 94V-0
 Insulation Resistance: 10M Ω , 500VDC/min between bare wire and frame
 Dielectric Strength: 5mA max, 500VAC/min between bare wire and frame
 Operation Temperature: -20°C~70°C(Humidity 15%-90%RH)
 Storage Temperature: -40°C~85°C(Humidity 15%-90%RH)
 Lead Wire: UL Type #24 AWG
 Weight: 230 g



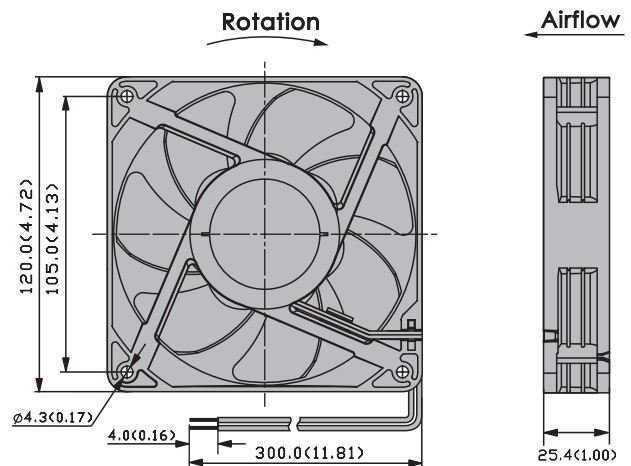
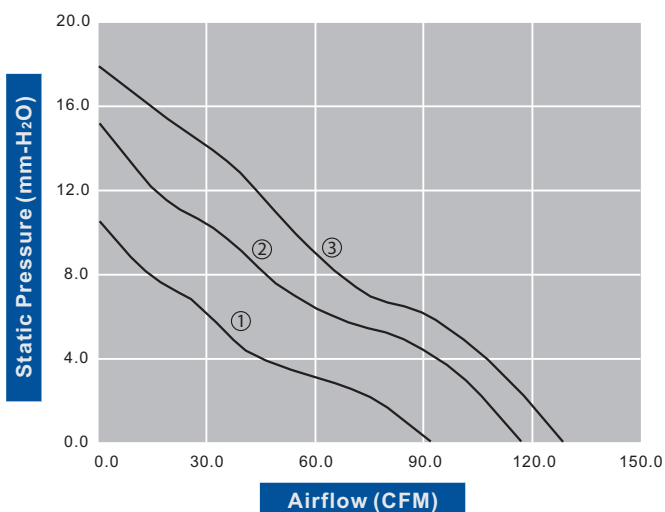
ES **IP** **SF**

- High Airflow
- Extremely High Static Pressure

Model Number		Voltage (VDC)	Op. Voltage (VDC)	AirFlow (CFM)	Static Pres. (mm-H ₂ O)	Noise (dBA)	Speed (RPM)	Current (mA)	Power (W)	Available Bearing	Additional Function (See Page 3)	Curves
FD1225B12W3-84	★	12	6.0~13.8	93.20	10.60	41.40	2,900	280	3.36	B	P,M,U,X,Y	①
FD1225B12W5-84	★	12	6.0~13.8	110.60	15.40	46.30	3,500	390	4.68	B	P,M,U,X,Y	②
FD1225B12W7-84	★	12	6.0~13.8	128.80	17.90	50.70	4,100	590	7.08	B	P,M,U,X,Y	③
FD1225B24W3-84	★	24	16.0~27.6	93.20	10.60	41.40	2,900	150	3.60	B	P,M,U,X,Y	①
FD1225B24W5-84	★	24	16.0~27.6	110.60	15.40	46.30	3,500	210	5.04	B	P,M,U,X,Y	②
FD1225B24W7-84	★	24	16.0~27.6	128.80	17.90	50.70	4,100	310	7.44	B	P,M,U,X,Y	③
FD1225B48W3-84	★	48	30.0~55.2	93.20	10.60	41.40	2,900	80	3.84	B	P,M,U,X,Y	①
FD1225B48W5-84	★	48	30.0~55.2	110.60	15.40	46.30	3,500	120	5.76	B	P,M,U,X,Y	②
FD1225B48W7-84	★	48	30.0~55.2	128.80	17.90	50.70	4,100	170	8.16	B	P,M,U,X,Y	③

● If model depicts "★", auto restart protection function built in.

Specifications are subject to change without notice



unit: mm(inch)