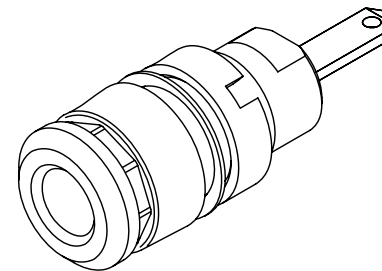
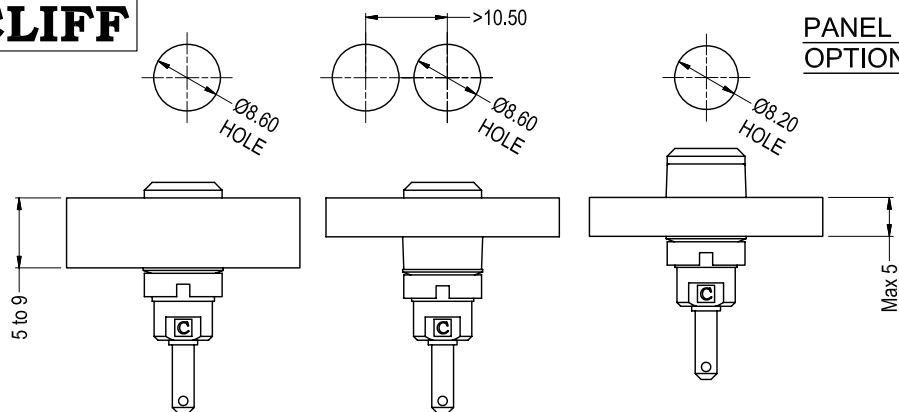
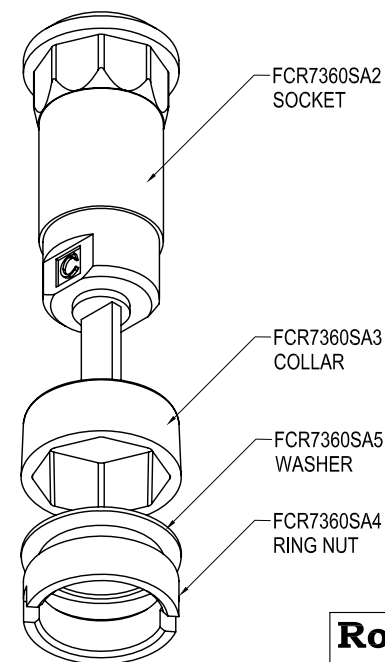
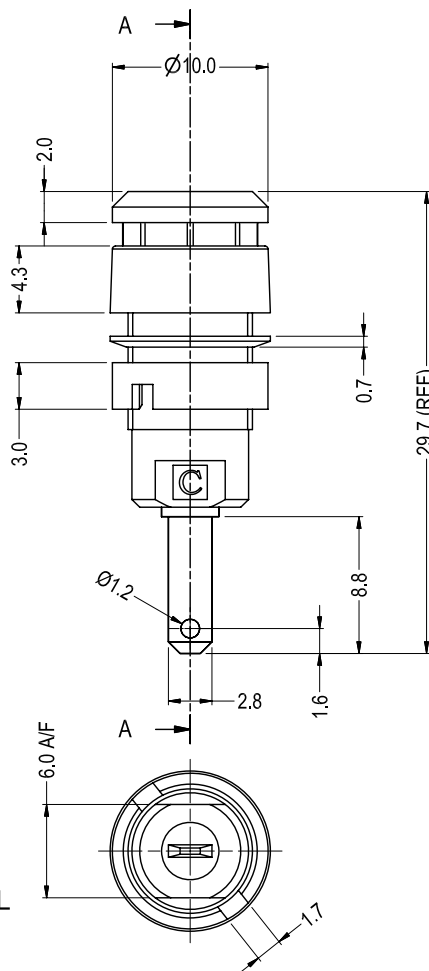
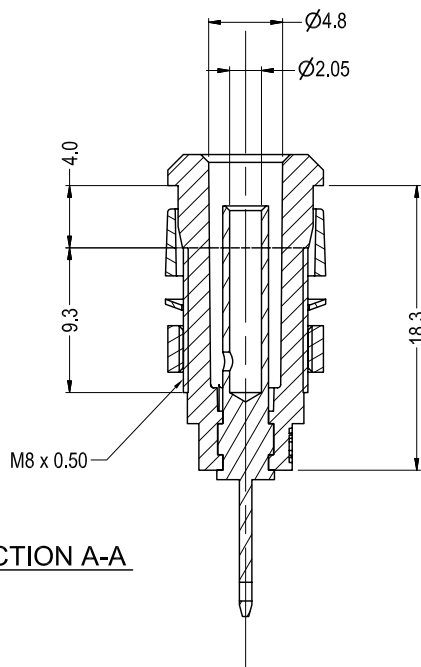


**PANEL MOUNTING
OPTIONS**



ISS.	AMEND	DATE
1	ISSUED	27/03/2008



NOTES:-

1. SUPPLIED WITH COLLAR (FCR7360SA3), SLOTTED RING NUT (FCR7360SA4) AND WASHER (FCR7360SA5) BULK PACKED.
2. SOCKET CAN BE TIGHTENED FROM THE FRONT USING SPECIAL TOOL FCR7360T.

COLOUR	PART NUMBER
BLACK	FCR7360B
RED	FCR7360R
GREEN	FCR7360G
BLUE	FCR7360L
YELLOW	FCR7360Y

RoHS
COMPLIANT

TOLERANCE

NO DEC. PLACE ±
1 DEC. PLACE ±
2 DEC. PLACE ±
HOLE DIA. ±
ANGLES ±
UNLESS
OTHERWISE STATED

WHERE USED F.R.

SCALE N.T.S.

DIMENSIONS IN MILLIMETERS UNLESS OTHER WISE STATED. WORK TO DIMENSIONS. DO NOT SCALE DRAWING. 3rd ANGLE PROJECTION. REMOVE ALL BURRS. IF IN DOUBT ASK.

Cliff Electronic Components Ltd.

76 Holmethorpe Ave., Holmethorpe Ind. Estate,
Redhill, Surrey, RH1 2PF, England
Tel: 01737-771375 Fax: 01737-766012

MATERIAL NYLON 6 / BRASS

FINISH SPARK 32 VDI / GOLD PLATED

DRAWN NJB

APPD. DPJ

TITLE S18 2mm PANEL SOCKET WITH 2.8mm TAB

DRWG. No. **FCR7360**

FORM: A4DRWGH