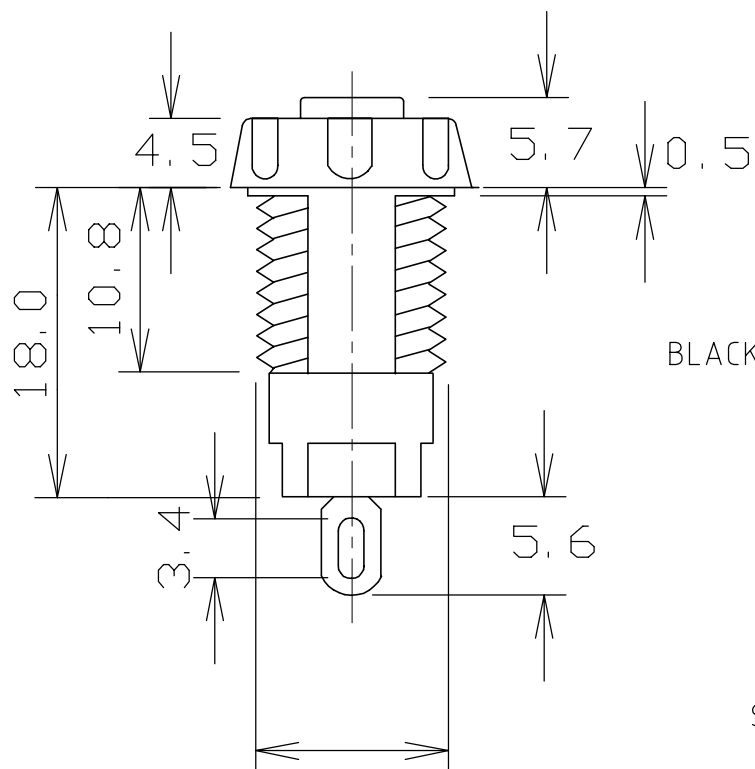


PANEL MOUNTING HOLE DETAILS

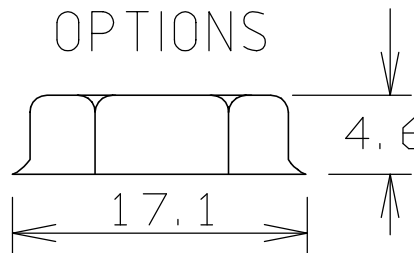


7/16"-20 UNF THREAD

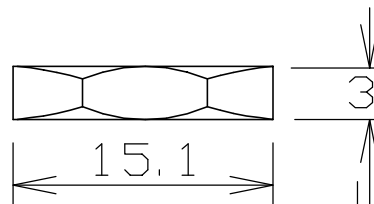
THIS PRODUCT HAS MIN 6.5mm CREEPAGE CLEARANCE TO PASS IEC61010-1 D-7 1000V.

FIXING OPTIONS

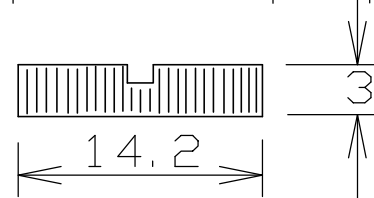
STANDARD NUT
BLACK PLASTIC - CL1408



HEX CHROMED NUT
FCR1440A



SLOTTED CHROMED NUT - FCR1436B



ISS.	AMEND	DATE
1	WAS CL14460	20/12/05
2	STD NUT WAS FCR1408	17/01/13

VARIANTS	
PART No.	COLOUR
FCR14460	BLACK
FCR14461	RED
FCR14462	YELLOW
FCR14463	BLUE
FCR144635	BROWN
FCR14464	GREY
FCR14465	GREEN
FCR14467	WHITE

RoHS
COMPLIANT

TOLERANCE
NO DEC. PLACE ± 0.50
1 DEC. PLACE ± 0.20
2 DEC. PLACE ±
HOLE Ø ±
ANGLES ± 1/2°
UNLESS OTHERWISE STATED

Cliff Electronic Components Ltd.

76 Holmethorpe Avenue, Holmethorpe Industrial Estate,
Redhill, Surrey, RH1 2PF, England, UK

Tel: 01737-771375 Fax: 01737-766012 Website: www.cliffuk.co.uk

THE CONTENTS OF THIS DOCUMENT MUST NOT BE COPIED OR DISCLOSED TO A 3rd PARTY WITHOUT WRITTEN PERMISSION OF CLIFF UK. © 2005

DIMENSIONS IN MILLIMETERS UNLESS OTHERWISE STATED. WORK TO DIMENSIONS. REMOVE ALL BURRS. IF IN DOUBT ASK.

3rd ANGLE PROJECTION:

DO NOT SCALE

MATERIAL: NYLON / BRASS

FINISH: AS MOULDED / GOLD PLATED

DRAWN: C.A.M.J.

APPROVED: R.W.T.

TITLE: TOUCHPROOF 4mm SOCKET S16

DRWG. No. **FCR14460**

FORM: A4DRWGI