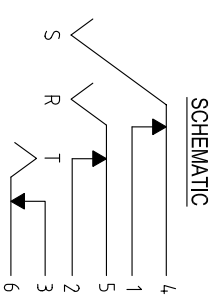
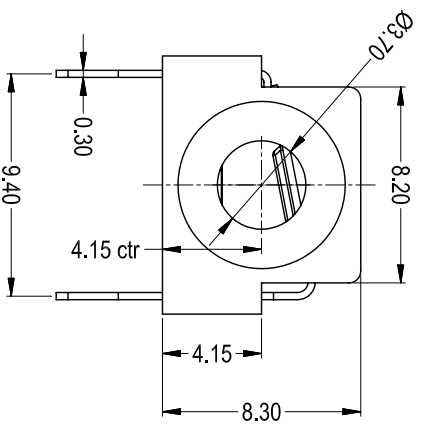
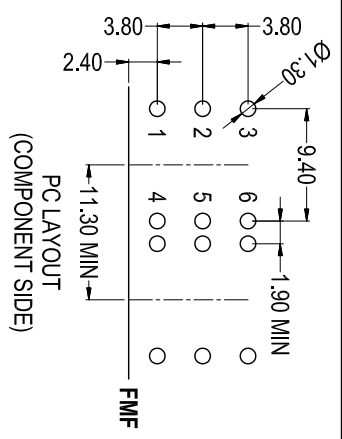
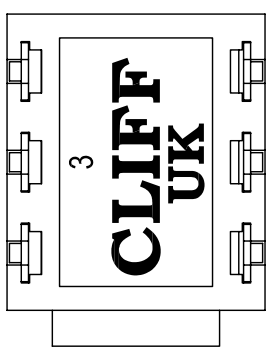


ISS.	AMEND	DATE
1	ISSUED	04/05/11
2	SUB PIN ADDED	09/05/11
3	FCR1295SA1 WAS FCR1280SA1	06/09/11



SWITCH CONTACTS OPEN WHEN PLUG IS INSERTED, CLOSE WHEN PLUG IS WITHDRAWN.



- SPECIFICATIONS**
- WITHSTAND VOLTAGE: 2000V DC min
  - MAXIMUM CURRENT: 5A
  - TEMPERATURE RANGE: -10°C TO +70°C
  - LIFE (MINIMUM): 5,000+ OPERATIONS
  - CONTACT RESISTANCE <50mΩ

**Cliff Electronic Components Ltd.**

76 Holmehope Avenue, Holmehope Industrial Estate,  
Redhill, Surrey, RH1 2PF, England, UK  
Tel: 01737-771375 Fax: 01737-766012 Website: www.cliffuk.co.uk

DIMENSIONS IN MILLIMETERS UNLESS OTHERWISE STATED. WORK TO DIMENSIONS. REMOVE ALL BURRS. IF IN DOUBT ASK.

MATERIAL: PBT - COPPER ALLOY / TIN PLATED

FINISH: AS MOULDED - CLEAN

DRAWN: T.J.O. APPROVED: D.P.J.

3rd ANGLE PROJECTION:

TITLE: S9/BBB STEREO MINIJACK 6mm PCB

DRWG. No. **FCR1295**

DO NOT SCALE

FORM: A4DRWGH



**TOLERANCE**  
 NO DEC. PLACE ±0.50  
 1 DEC. PLACE ±0.20  
 2 DEC. PLACE ±0.10  
 HOLE Ø ±0.10  
 ANGLES ±1/2°  
 UNLESS OTHERWISE STATED

THE CONTENTS OF THIS DOCUMENT MUST NOT BE COPIED OR DISCLOSED TO A 3rd PARTY WITHOUT WRITTEN PERMISSION OF CLIFF UK. © 2010