

DESCRIPTION 8 and 11 Pin Octal Style Male Headers and Matching Enclosures

CONSTRUCTION

HEADERS

Molding • High Temperature Phenolic

Pins • Brass, Bright Tin Plated

ENCLOSURES

• Break Resistant Polycarbonate

COLORS • Standard colors are listed below, consult factory for a complete color listing.

ORDERING CODE

PART NO.	DESCRIPTION
FB08	8 Pin Octal Style Male Header (Fig. 1)
FB11	11 Pin Octal Style Male Header (Fig. 2)
FCBP	Black Enclosure (Fig. 3)
FCCP	Clear Enclosure (Fig. 3)
FCWP	White Enclosure (Fig. 3)
HMS-1	Header Mounting Screw

FB/FC SERIES
ELECTRONIC PACKAGING PRODUCTS



Fig. 1

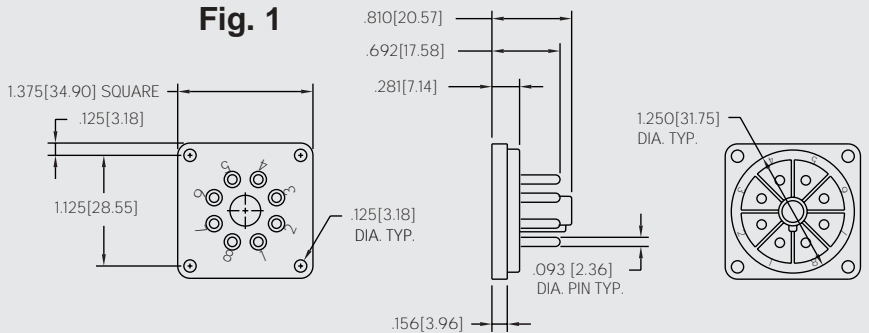


Fig. 3

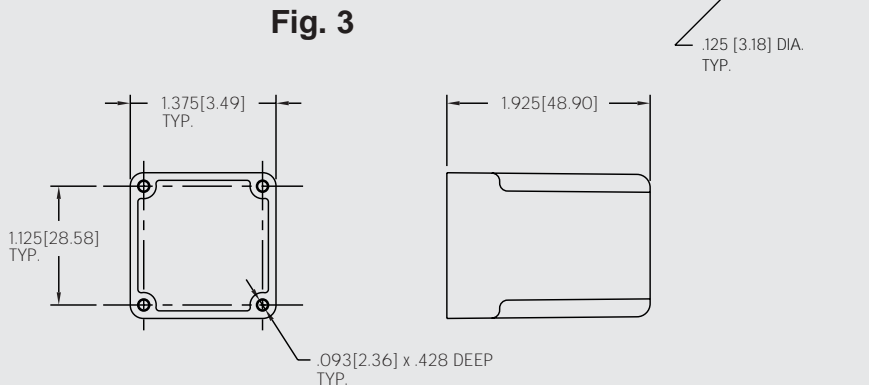


Fig. 2

