

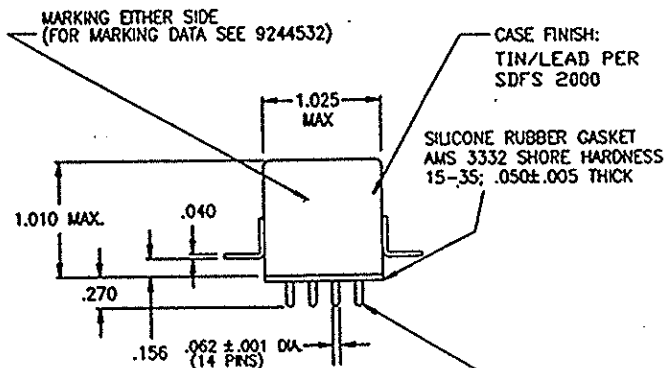
MSD INC.

ENGINEERING DATA SHEET

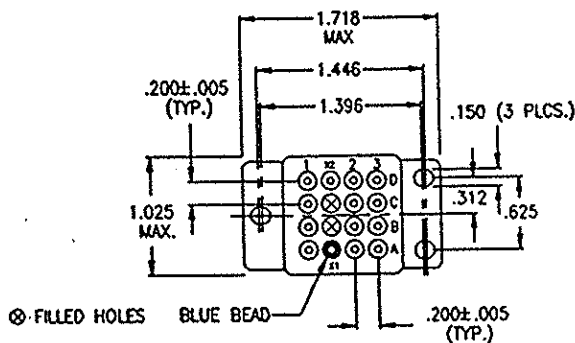
RELAY TYPE: FCA-410-1522M	COMPUTER PART No.: 9244532	TEST PROCEDURE MSDP-790
CUSTOMER/SPECIFICATION: MIL-R-83536/15-022	REV NONE	

TEST REQUIREMENTS

COIL RES.: 290 +/- 10% ohms OPERATE TIME: 15 mS Max RELEASE TIME: 15 mS Max
 CONTACT MAKE BOUNCE: 1 mS Max N.O. BREAK BOUNCE: N/A
 CONTACT STABILIZATION TIME: 2.5 mS Max RATED COIL VOLTAGE: 28 Vdc
 CONTACT RES.: MFG TEST: 8 Milliohms @ 10 mA FINAL TEST: 10 Milliohms @ 10 mA
 CONTACT VOLTAGE DROP: FINAL TEST: 100 mV Max @ 10 A - 6 V dc
 HI-POT: 1250 V rms ALL POINTS, EXCEPT 1000 V rms COIL TO CASE
 INSULATION RESISTANCE: 100 Megohms Min @ 500 V dc
 VIBRATION: MIL-STD-202, METHOD 204 (30G's / 100 - 3000 Hz)
 SEAL TEST: 1X10⁻⁸ Max LEAK RATE COIL TRANSIENT SUPPRESSION: N/A
 OTHER: _____



FINISH: GOLD PLATE MIL-G-45204 TYPE II, CLASS I (14) PINS
 UNDERPLATE: NICKEL 50-150 MICROINCHES THICK.



NOTE: TERMINAL NUMBERS APPEAR ON CIRCUIT
 DIAGRAM AND NOT ON RELAY HEADER.
 (GASKET NOT SHOWN IN THIS VIEW)

Prepared By: Date		Approved By: Date	
LES WYNNE 2-11-96		<i>[Signature]</i> 2-19-96	
Rev	ECN No.	Date	
A	96-065	2-16-96	

SPECIAL INSTRUCTIONS