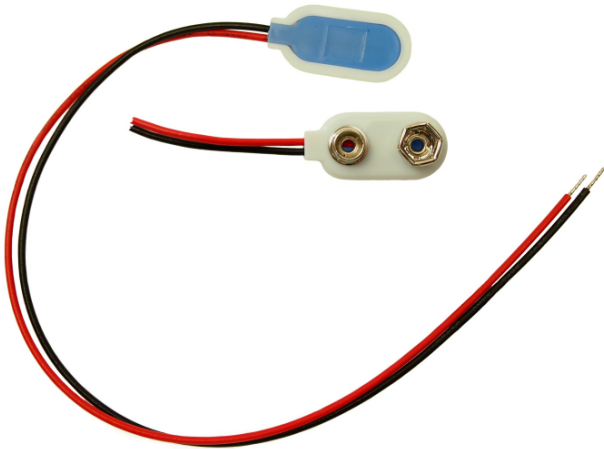
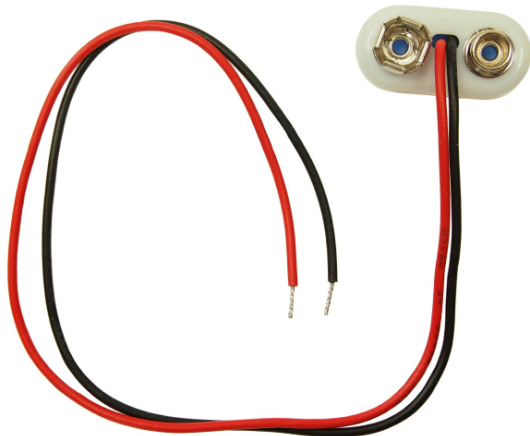
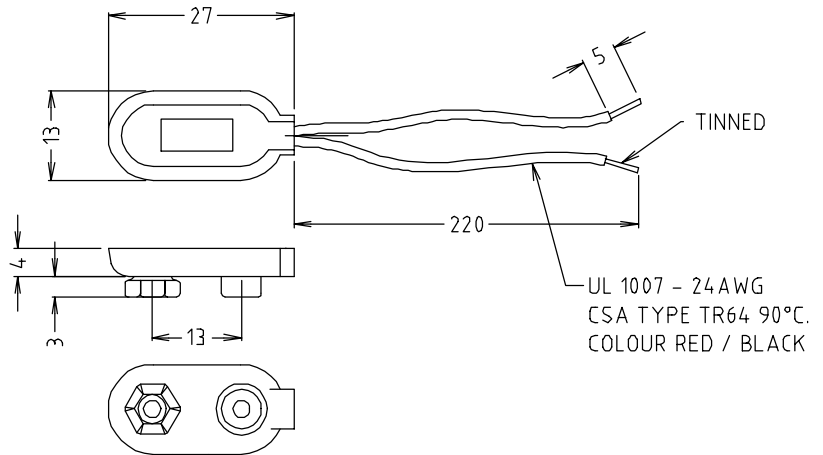


CLIFF

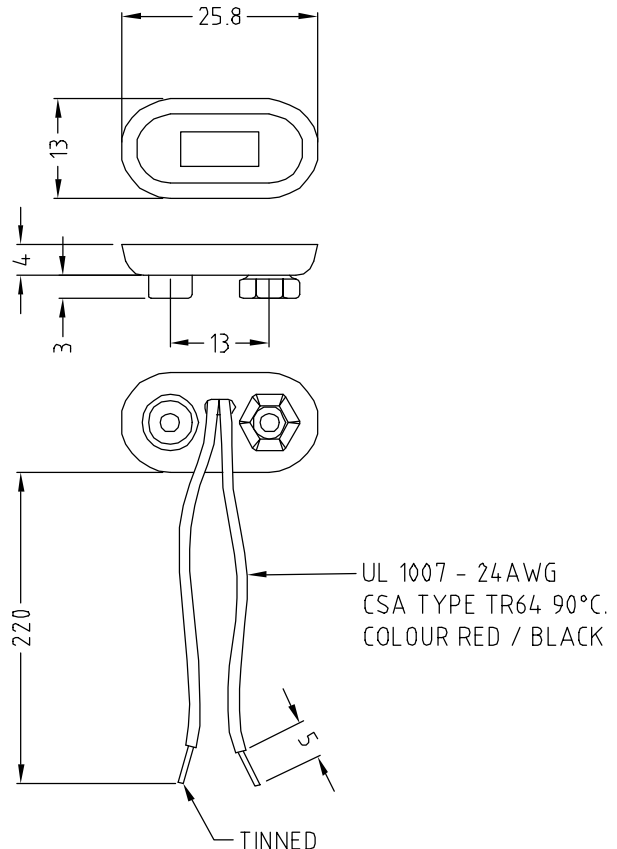
BATTERY CONNECTOR



Part No: **FC6830**



Part No: **FC6831**



SPECIFICATION

CONTACT RESISTANCE <math>< 50\text{m}\Omega</math>
LIFE ENDURANCE >1000 PLUG / UNPLUG.
OPERATING TEMP. -10°C / +50°C
STORAGE TEMP. -20°C / +40°C
BREAKDOWN VOLTAGE >100V DC
RATED VOLTAGE 9V DC
SUITABLE FOR PP3 BATTERY.