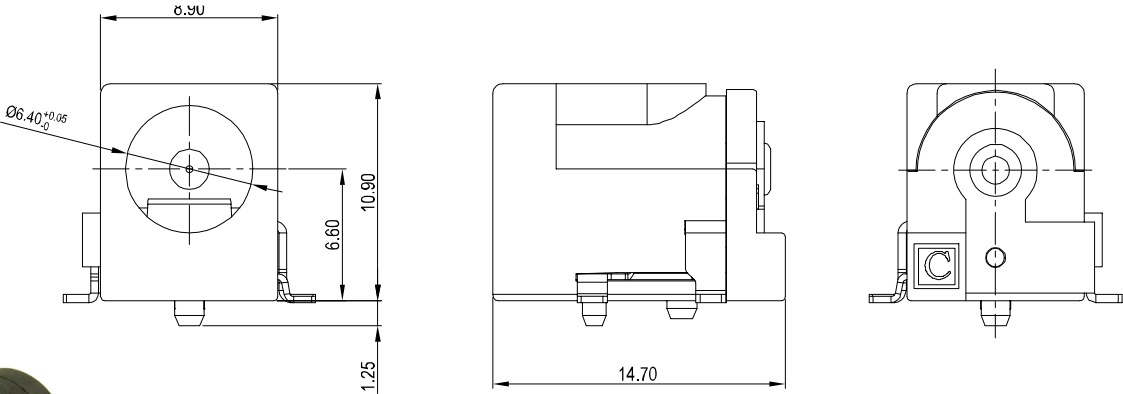




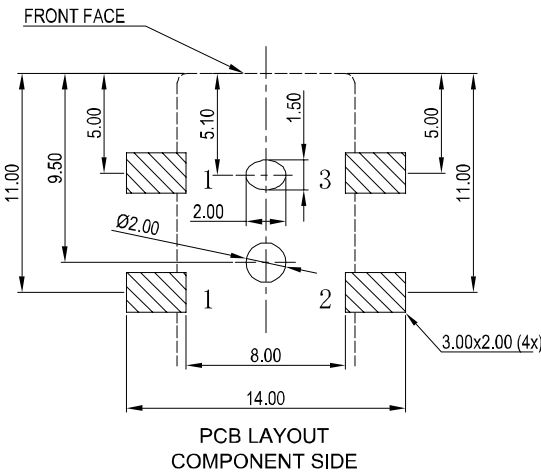
# DC10LS SMD DUAL DC SOCKET

## Accepts 2.1mm & 2.5mm Plugs



Part No. FC681465S

Also supplied taped  
Part No. FC681465ST



### SPECIFICATION

RATED: 2A / 12V DC.  
INSERTION / WITHDRAWAL FORCE: 0.3-2 kgf.  
LIFE: 5,000 INSERTIONS MINIMUM.  
CONTACT RESISTANCE:  
INITIAL: PLUG / CONTACT <50mΩ, CONTACT / SHUNT <30mΩ.  
AFTER LIFE TEST: PLUG / CONTACT <100mΩ, CONTACT / SHUNT <60mΩ.