

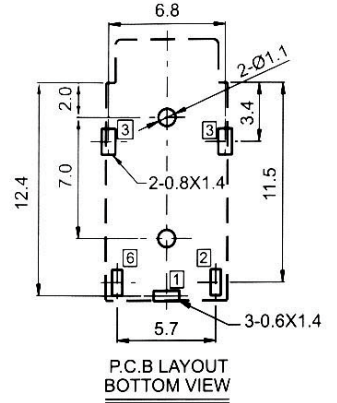
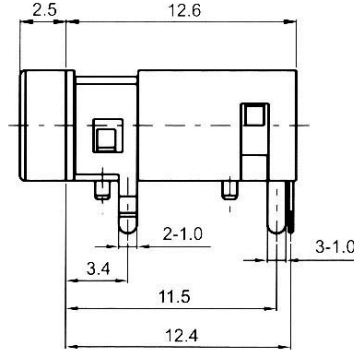
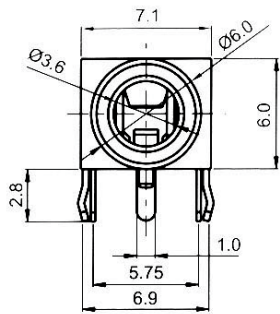
CLIFF

3.5mm 4 Pole Jack Sockets & Plugs



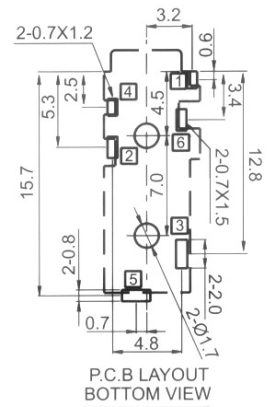
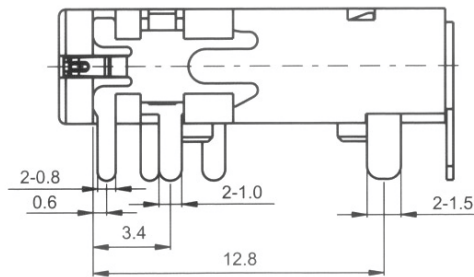
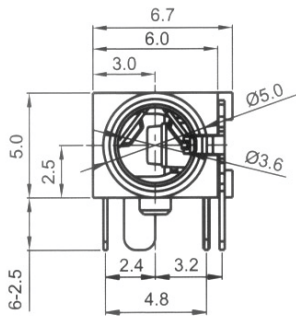
FC68125

Model No.	FC68125
Schematic	



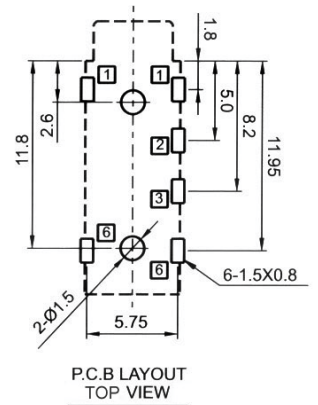
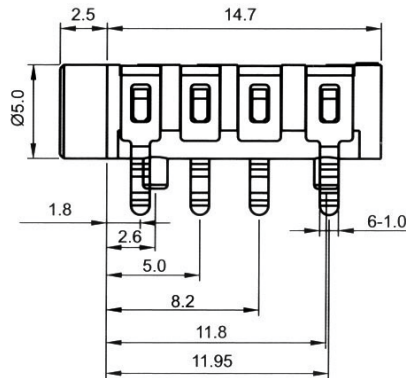
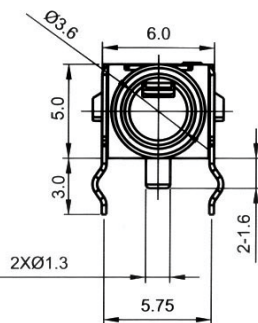
FC68126, FC68127

Model No.	Schematic
FC68126	
FC68127	



FC68128

Model No.	FC68128
Schematic	



Not compatible with plug FC68124. Suitable only for Jack plug cable FC68122C

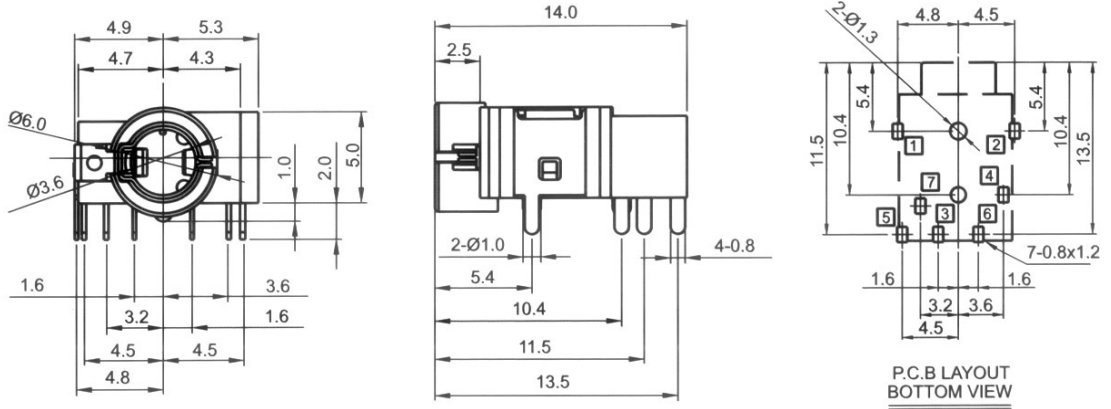
CLIFF

3.5mm 4 Pole Jack Sockets & Plugs



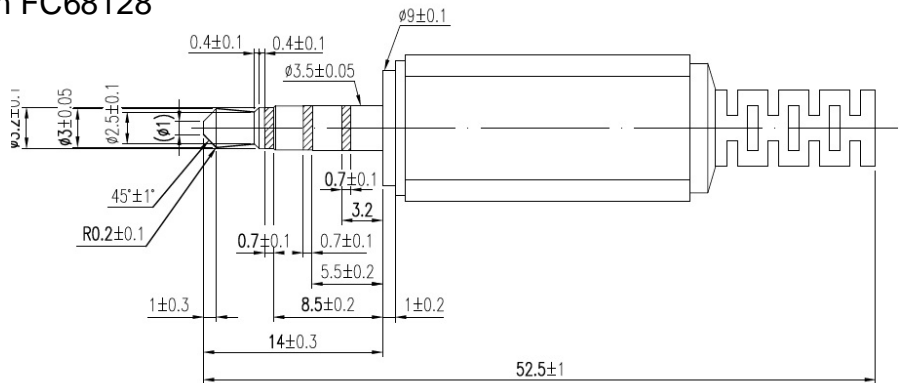
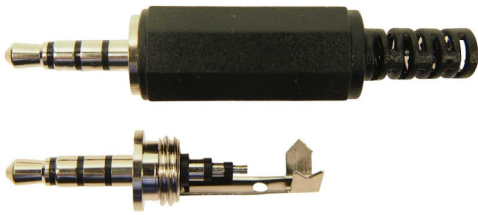
FC68129

Model No.	Schematic
FC68129	

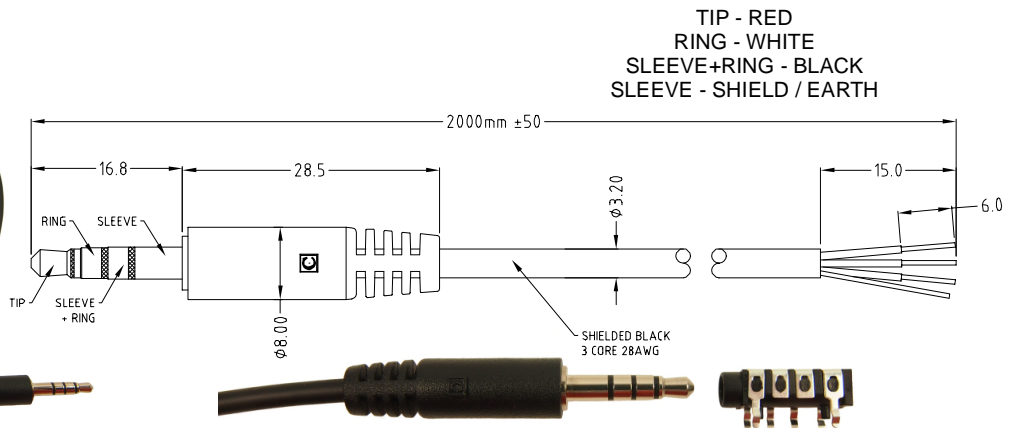


FC68124 - 3.5mm 4 pole Jack Plug, Assembly type.

Note: This plug is not to be used with FC68128



FC68122C



For use with FC68128

The 4 pole plug for overmoulding is also available separately as FC68122 (Nickel plated) or FC68122G (Gold plated).

For further information, contact sales@cliffuk.co.uk

Cliff Electronic Components Limited,
 76 Holmethorpe Avenue, Holmethorpe Ind. Estate,
 Redhill, Surrey RH1 2PF U.K.
 Tel: +44 (0)1737 771375 Fax: +44 (0)1737 766012



Visit us online at: www.cliffuk.co.uk