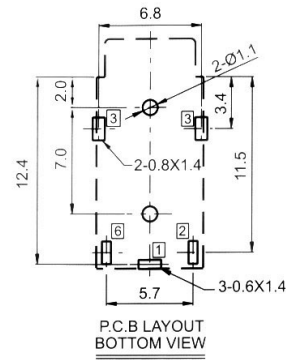
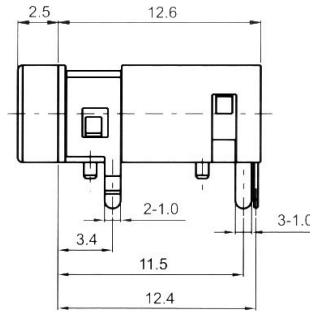
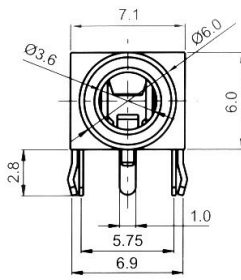


# CLIFF

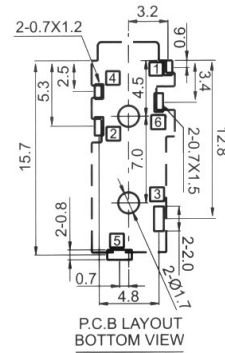
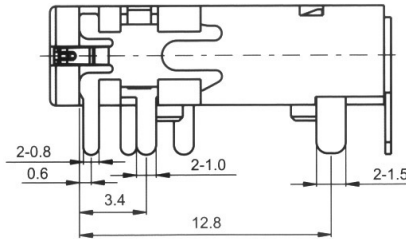
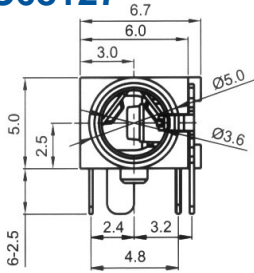
## 3.5mm 4 Pole Jack Sockets

### FC68125



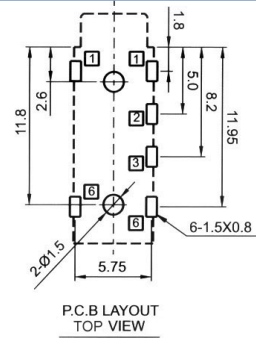
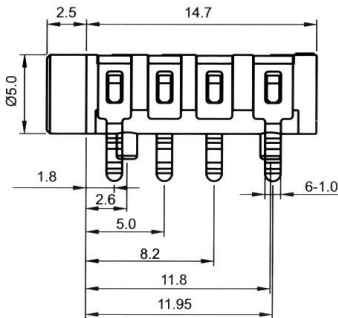
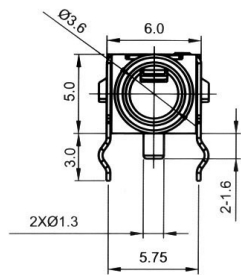
Model No.	FC68125
Schematic	

### FC68126, FC68127



Model No.	Schematic
FC68126	
FC68127	

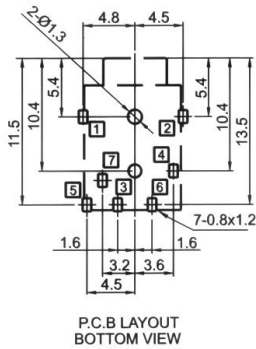
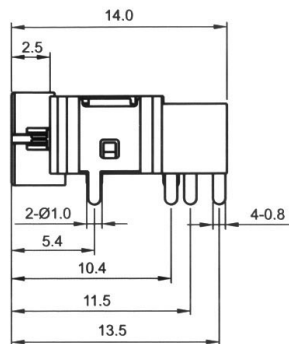
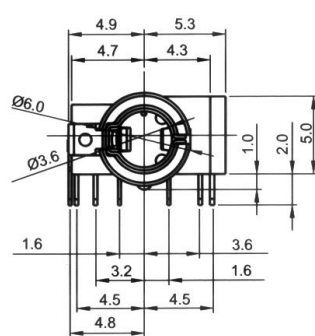
### FC68128



Model No.	FC68128
Schematic	

Not compatible with plug FC68124. Suitable only for overmoulded plugs FC68122 (Ni) & FC68122G (Gold).

### FC68129



Model No.	Schematic
FC68129	



**FC68124** - 3.5mm 4 pole Jack Plug, Assembly type.

Note: This plug is not to be used with FC68128

