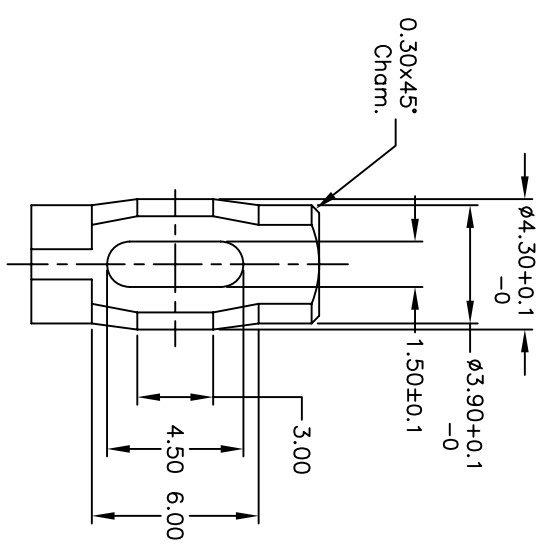
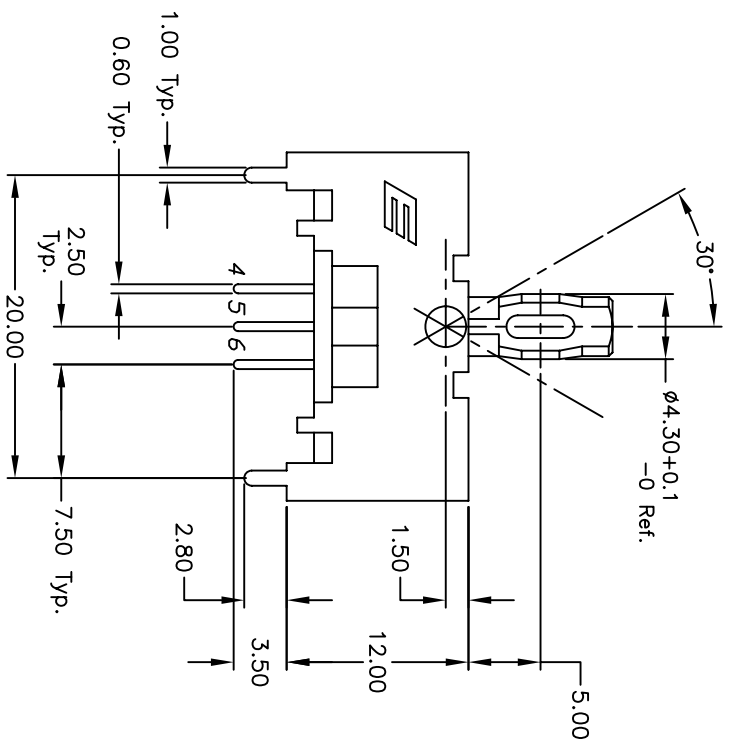
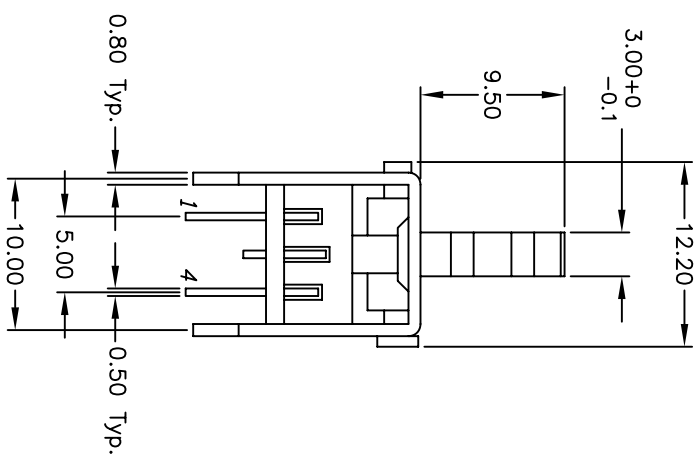
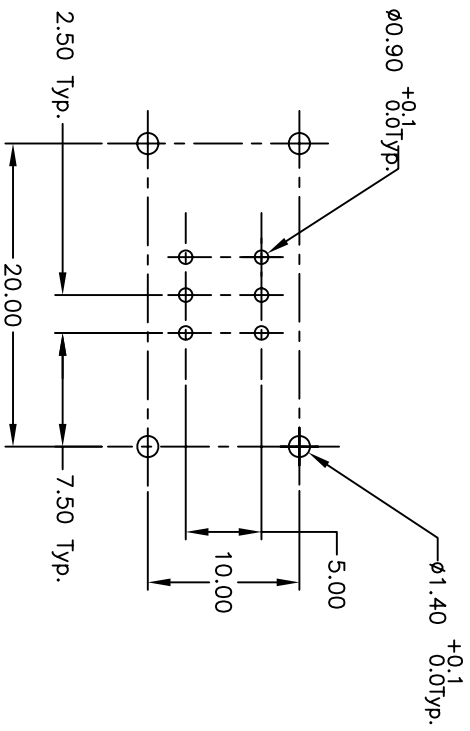
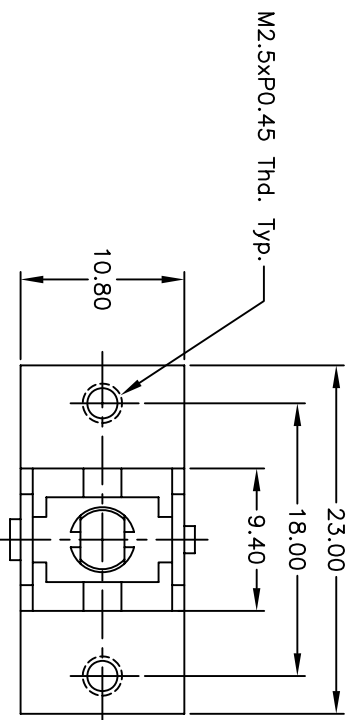


CIRCUIT: 2P2T
CONTACT CONFIGURATION



NOTES:

1. ALL DIMENSIONS IN MM
2. GENERAL TOLERANCE: 0.0=±0.4
0.00=±0.25
3. TERM. NOS. FOR REF. ONLY
4. RATING: 0.3A, 125VAC; 100mA, 12VDC

A		10492	RELEASED FOR PRODUCTION			TITLE	SCALE	DATE	DR	DWG	REV
REV.	ECN No.	DESCRIPTION	DATE	CHKD		FC-001-A22BAN-AG (NO KNOB)	2:1	1/11/00	MM	P050004	A
<p>THE INFORMATION CONTAINED IN THIS DOCUMENT IS PROPRIETARY TO E-SWITCH AND IS NOT TO BE COPIED OR TRANSFERRED</p>											

