

DC BLOWER 97x94x33mm



Housing/Blade: Thermoplastic PBT, UL 94V-0
 Insulation Resistance: 10M Ω , 500VDC/min between bare wire and frame
 Dielectric Strength: 5mA max, 500VAC/min between bare wire and frame
 Operation Temperature: -20°C~70°C(Humidity 15%-90%RH)
 Storage Temperature: -40°C~85°C(Humidity 15%-90%RH)
 Lead Wire: UL Type #24 AWG
 Weight: 142 g



ES

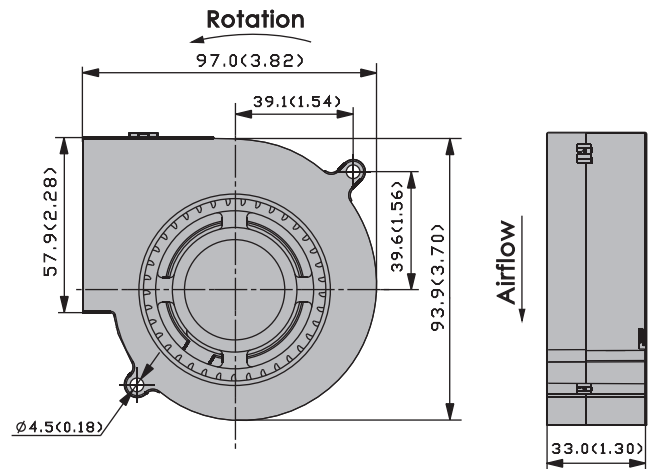
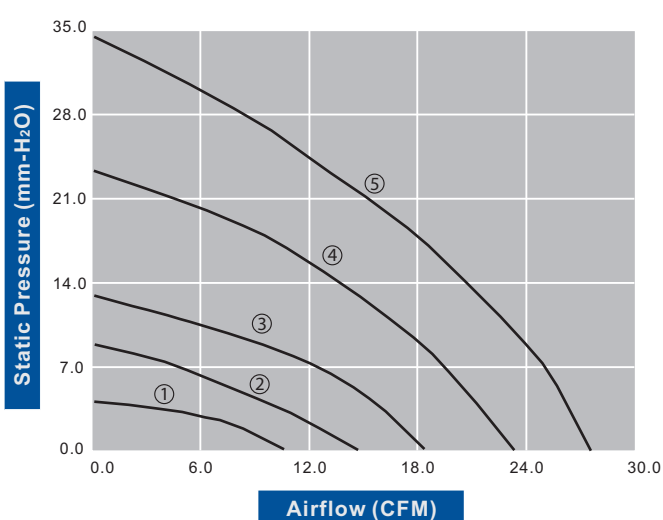
IP

SF

Model Number	Voltage (VDC)	Op. Voltage (VDC)	AirFlow (CFM)	Static Pres. (mm-H ₂ O)	Noise (dBA)	Speed (RPM)	Current (mA)	Power (W)	Available Bearing	Additional Function (See Page 3)	Curves
FBD9733B12W1-81	★ 12	8.0~13.8	10.50	3.90	32.80	1,500	80	0.96	B	P,M,U,X	①
FBD9733B12W2-81	★ 12	8.0~13.8	14.50	8.70	42.40	2,000	140	1.68	B	P,M,U,X	②
FBD9733B12W3-81	★ 12	8.0~13.8	18.20	12.70	49.20	2,500	290	3.48	B	P,M,U,X	③
FBD9733B12W5-81	★ 12	8.0~13.8	23.50	23.00	53.00	3,000	530	6.36	B	P,M,U,X	④
FBD9733B12W7-81	★ 12	8.0~13.8	27.20	34.20	58.30	3,500	900	10.80	B	P,M,U,X	⑤
FBD9733B24W1-81	★ 24	18.0~27.6	10.50	3.90	32.80	1,500	70	1.68	B	P,M,U,X	①
FBD9733B24W2-81	★ 24	12.0~27.6	14.50	8.70	42.40	2,000	110	2.64	B	P,M,U,X	②
FBD9733B24W3-81	★ 24	12.0~27.6	18.20	12.70	49.20	2,500	190	4.56	B	P,M,U,X	③
FBD9733B24W5-81	★ 24	12.0~27.6	23.50	23.00	53.00	3,000	350	8.40	B	P,M,U,X	④
FBD9733B24W7-81	★ 24	12.0~27.6	27.20	34.20	58.30	3,500	510	12.24	B	P,M,U,X	⑤
FBD9733B48W1-81	★ 48	38.0~52.8	10.50	3.90	32.80	1,500	40	1.92	B	P,M,U,X	①
FBD9733B48W2-81	★ 48	38.0~52.8	14.50	8.70	42.40	2,000	60	2.88	B	P,M,U,X	②
FBD9733B48W3-81	★ 48	38.0~52.8	18.20	12.70	49.20	2,500	110	5.28	B	P,M,U,X	③
FBD9733B48W5-81	★ 48	38.0~52.8	23.50	23.00	53.00	3,000	190	9.12	B	P,M,U,X	④
FBD9733B48W7-81	★ 48	38.0~52.8	27.20	34.20	58.30	3,500	300	14.40	B	P,M,U,X	⑤

• If model depicts "★", auto restart protection function built in.

Specifications are subject to change without notice



unit: mm(inch)