

DC BLOWER 93x93x30mm



Housing/Blade: Thermoplastic PBT, UL 94V-0
 Insulation Resistance: 10MΩ, 500VDC/min between bare wire and frame
 Dielectric Strength: 5mA max. 500VAC/min between bare wire and frame
 Operation Temperature: -10°C~70°C(Humidity 35%-85%RH)
 Storage Temperature: -40°C~70°C(Humidity 35%-85%RH)
 Lead Wire: UL Type #24 AWG
 Weight: 155 g

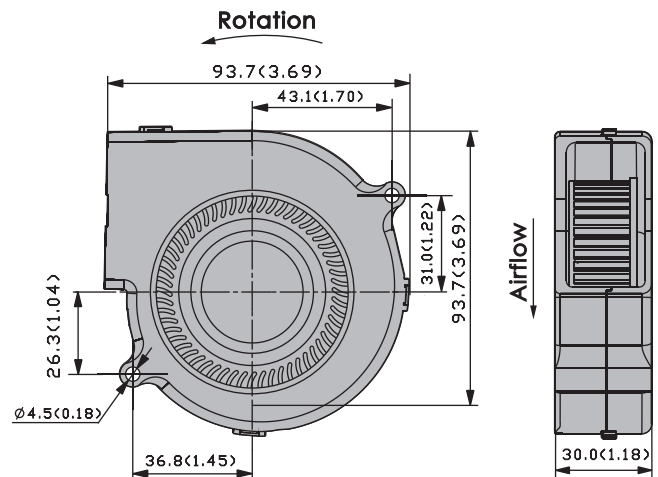
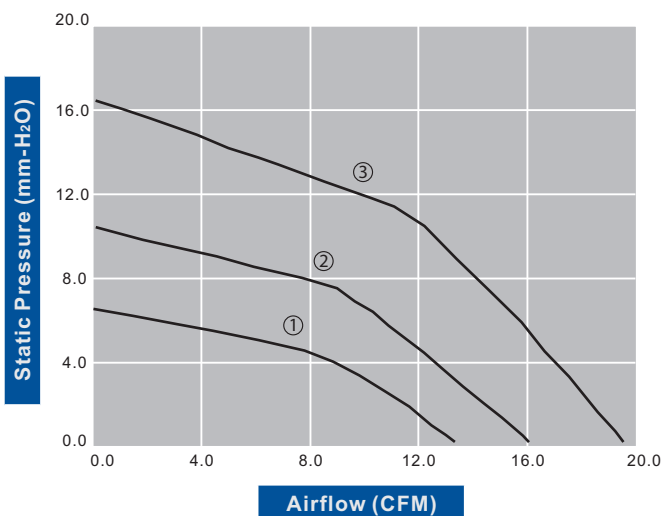


SS IP SF

Model Number	Voltage (VDC)	Op. Voltage (VDC)	AirFlow (CFM)	Static Pres. (mm-H ₂ O)	Noise (dBA)	Speed (RPM)	Current (mA)	Power (W)	Available Bearing	Additional Function (See Page 3)	Curves
FBD9330B12W1-61	12	6.0~13.8	13.20	6.40	37.40	2,100	180	2.16	B,S	P,M,U,X,Y	①
FBD9330B12W3-61	★ 12	6.0~13.8	16.00	10.20	41.40	2,500	290	3.48	B,S	P,M,U,X,Y	②
FBD9330B12W5-61	★ 12	6.0~13.8	19.50	19.10	44.30	3,000	490	5.88	B,S	P,M,U,X,Y	③
FBD9330B24W1-61	24	12.0~27.6	13.20	6.40	37.40	2,100	80	1.92	B,S	P,M,U,X,Y	①
FBD9330B24W3-61	★ 24	12.0~27.6	16.00	10.20	41.40	2,500	140	3.36	B,S	P,M,U,X,Y	②
FBD9330B24W5-61	★ 24	12.0~27.6	19.50	19.10	44.30	3,000	230	5.52	B,S	P,M,U,X,Y	③

- For "Sleeve" bearing version, change the "B" in the model number to, "S".
- If model depicts "★", auto restart protection function built in.

Specifications are subject to change without notice



unit: mm(inch)