

# DC BLOWER 75x77x30mm



Housing/Blade: Thermoplastic PBT, UL 94V-0  
 Insulation Resistance: 10MΩ, 500VDC/min between bare wire and frame  
 Dielectric Strength: 5mA max. 500VAC/min between bare wire and frame  
 Operation Temperature: -10°C~70°C(Humidity 35%-85%RH)  
 Storage Temperature: -40°C~70°C(Humidity 35%-85%RH)  
 Lead Wire: UL Type #24 AWG  
 Weight: 87 g



SS

IP

SF

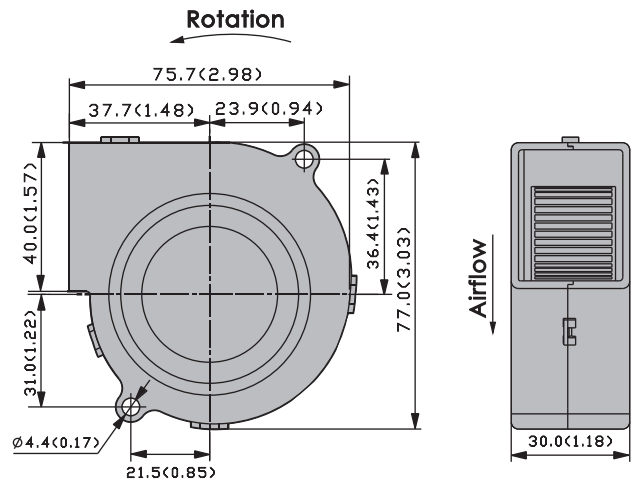
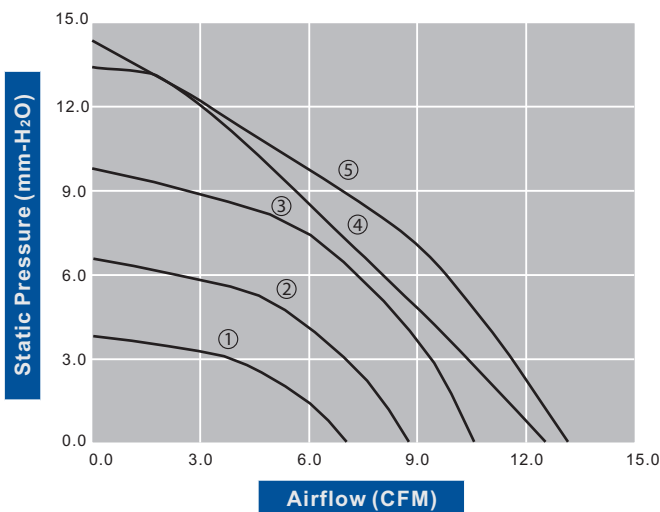


DC Blowers

Model Number	Voltage (VDC)	Op. Voltage (VDC)	AirFlow (CFM)	Static Pres. (mm-H <sub>2</sub> O)	Noise (dBA)	Speed (RPM)	Current (mA)	Power (W)	Available Bearing	Additional Function (See Page 3)	Curves
FBD7530B12W3-61	12	6.0~13.8	7.00	3.80	27.60	2,000	90	1.08	B,S	P,M,U,X,Y	①
FBD7530B12W5-61	12	6.0~13.8	8.70	6.50	35.50	2,500	170	2.04	B,S	P,M,U,X,Y	②
FBD7530B12W7-61	★	12	6.0~13.8	10.80	9.50	3,000	250	3.00	B,S	P,M,U,X,Y	③
FBD7530B12W9-61	★	12	6.0~13.8	12.50	13.30	3,500	320	3.84	B,S	P,M,U,X,Y	④
FBD7530B12W11-61	★	12	6.0~13.8	13.70	18.00	3,800	460	5.52	B,S	P,M,U,X,Y	⑤
FBD7530B24W3-61	24	12.0~27.6	7.00	3.80	27.60	2,000	80	1.92	B,S	P,M,U,X,Y	①
FBD7530B24W5-61	24	12.0~27.6	8.70	6.50	35.50	2,500	100	2.40	B,S	P,M,U,X,Y	②
FBD7530B24W7-61	★	24	12.0~27.6	10.80	9.50	3,000	130	3.12	B,S	P,M,U,X,Y	③
FBD7530B24W9-61	★	24	12.0~27.6	12.50	13.30	3,500	150	3.60	B,S	P,M,U,X,Y	④
FBD7530B24W11-61	★	24	12.0~27.6	13.70	18.00	3,800	230	5.52	B,S	P,M,U,X,Y	⑤

- For "Sleeve" bearing version, change the "B" in the model number to, "S".
- If model depicts "★", auto restart protection function built in.

Specifications are subject to change without notice



unit: mm(inch)