

DC BLOWER 60x60x25mm



Housing/Blade: Thermoplastic PBT, UL 94V-0
 Insulation Resistance: 10M Ω , 500VDC/min between bare wire and frame
 Dielectric Strength: 5mA max. 500VAC/min between bare wire and frame
 Operation Temperature: -20°C~70°C(Humidity 15%-90%RH)
 Storage Temperature: -40°C~85°C(Humidity 15%-90%RH)
 Lead Wire: UL Type #26 AWG
 Weight: 52 g



ES

IP

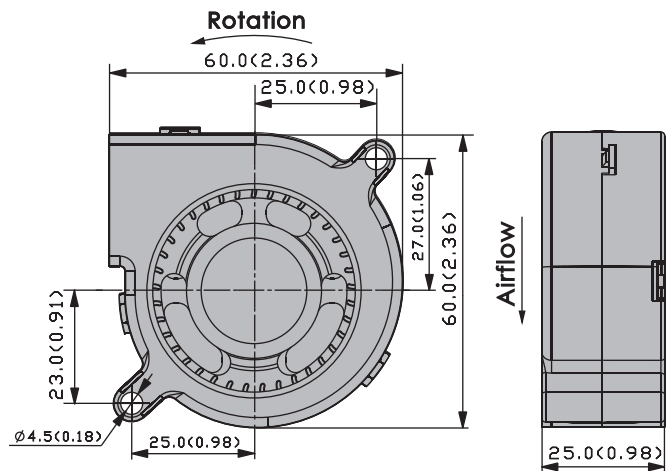
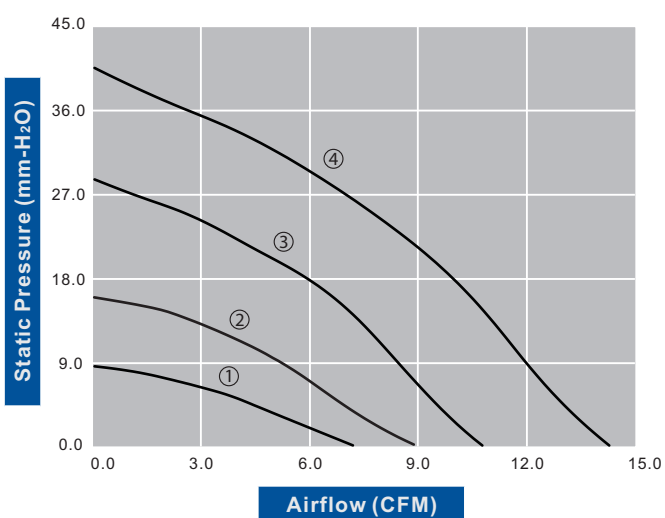
SF



Model Number		Voltage (VDC)	Op.Voltage (VDC)	AirFlow (CFM)	StaticPres. (mm-H ₂ O)	Noise (dBA)	Speed (RPM)	Current (mA)	Power (W)	Available Bearing	Additional Function (See Page 3)	Curves
FBD6025B12W3-81	★	12	6.0~13.8	7.10	8.50	25.50	2,500	100	1.20	B	P,U,X	①
FBD6025B12W5-81	★	12	6.0~13.8	8.80	16.60	36.70	3,500	220	2.64	B	P,U,X	②
FBD6025B12W7-81	★	12	6.0~13.8	10.70	28.50	42.70	4,500	400	4.80	B	P,U,X	③
FBD6025B12W9-81	★	12	6.0~13.8	14.00	40.30	49.60	5,500	450	5.40	B	P,U,X	④
FBD6025B24W3-81	★	24	16.0~27.6	7.10	8.50	25.50	2,500	60	1.44	B	P,U,X	①
FBD6025B24W5-81	★	24	16.0~27.6	8.80	16.60	36.70	3,500	120	2.88	B	P,U,X	②
FBD6025B24W7-81	★	24	16.0~27.6	10.70	28.50	42.70	4,500	200	4.80	B	P,U,X	③
FBD6025B48W3-81	★	48	30.0~52.8	7.10	8.50	25.50	2,500	50	2.40	B	P,U,X	①
FBD6025B48W5-81	★	48	30.0~52.8	8.80	16.60	36.70	3,500	80	3.84	B	P,U,X	②

• If model depicts "★", auto restart protection function built in.

Specifications are subject to change without notice



unit: mm(inch)