

DC BLOWER

57x57x12mm



Housing/Blade: Thermoplastic PBT, UL 94V-0
 Insulation Resistance: 10MΩ, 500VDC/min between bare wire and frame
 Dielectric Strength: 5mA max. 500VAC/min between bare wire and frame
 Operation Temperature: -20°C~70°C(Humidity 15%-90%RH)
 Storage Temperature: -40°C~85°C(Humidity 15%-90%RH)
 Lead Wire: UL Type #26 AWG
 Weight: 20 g



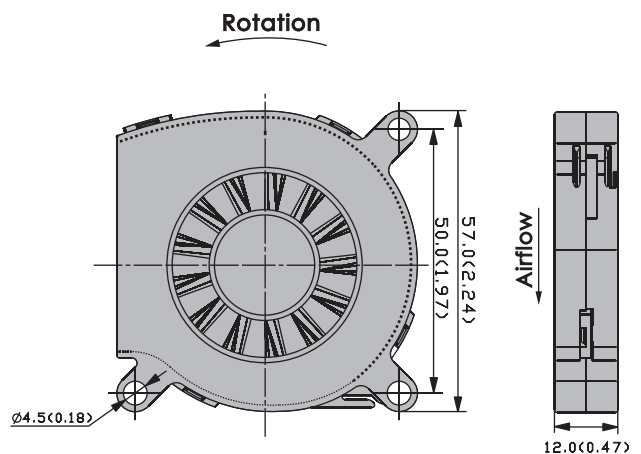
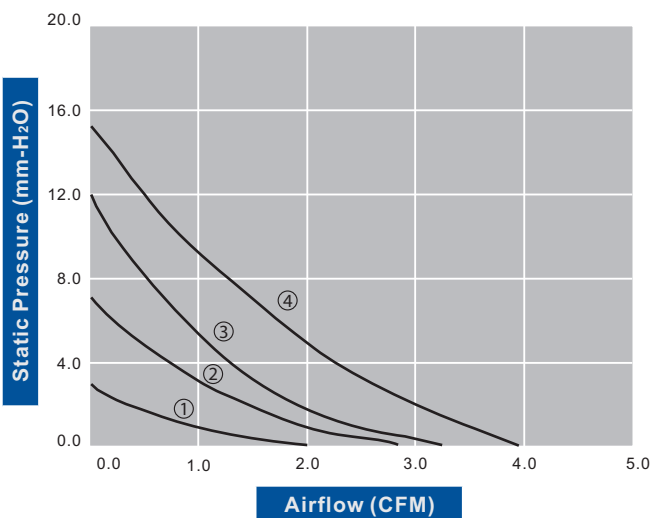
ES

IP

SF

Model Number	Voltage (VDC)	Op. Voltage (VDC)	AirFlow (CFM)	Static Pres. (mm-H ₂ O)	Noise (dBA)	Speed (RPM)	Current (mA)	Power (W)	Available Bearing	Additional Function (See Page 3)	Curves
FBD5712B05W3-81	5	4.5~5.5	2.00	3.10	21.40	2,500	60	0.30	B	P,U,X	①
FBD5712B05W5-81	5	4.0~5.5	2.80	6.90	26.80	3,500	100	0.50	B	P,U,X	②
FBD5712B05W7-81	5	4.0~5.5	3.20	12.00	30.30	4,500	240	1.20	B	P,U,X	③
FBD5712B12W3-81	12	10.8~13.8	2.00	3.10	21.40	2,500	60	0.72	B	P,U,X	①
FBD5712B12W5-81	12	9.0~13.8	2.80	6.90	26.80	3,500	70	0.84	B	P,U,X	②
FBD5712B12W7-81	12	6.0~13.8	3.20	12.00	30.30	4,500	110	1.32	B	P,U,X	③
FBD5712B12W9-81	12	6.0~13.8	3.90	15.60	36.10	5,500	170	2.04	B	P,U,X	④

Specifications are subject to change without notice



unit: mm(inch)