

DC BLOWER 50x50x15mm



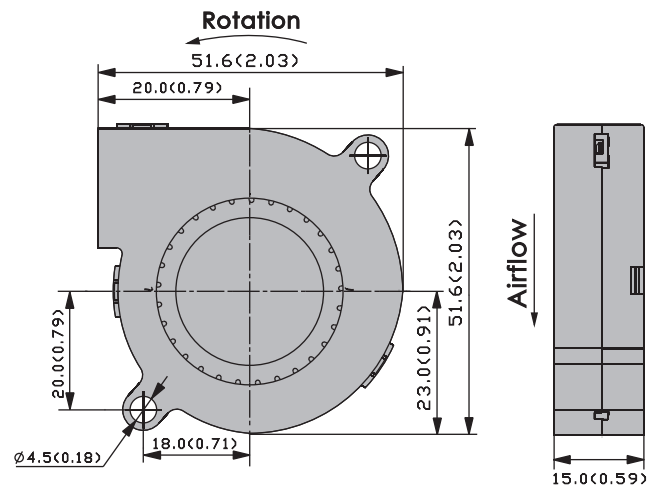
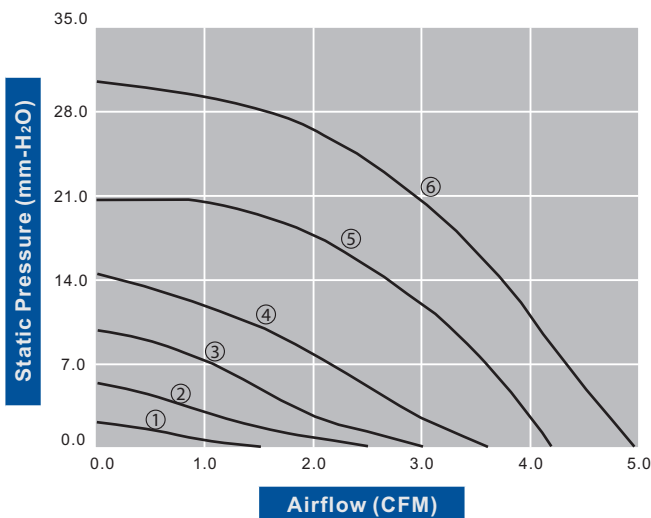
Housing/Blade: Thermoplastic PBT, UL 94V-0
 Insulation Resistance: 10M Ω , 500VDC/min between bare wire and frame
 Dielectric Strength: 5mA max. 500VAC/min between bare wire and frame
 Operation Temperature: -20°C~70°C(Humidity 15%-90%RH)
 Storage Temperature: -40°C~85°C(Humidity 15%-90%RH)
 Lead Wire: UL Type #26 AWG
 Weight: 24 g



ES IP SF

Model Number	Voltage (VDC)	Op. Voltage (VDC)	AirFlow (CFM)	Static Pres. (mm-H ₂ O)	Noise (dBA)	Speed (RPM)	Current (mA)	Power (W)	Available Bearing	Additional Function (See Page 3)	Curves
FBD5015B05W1-81	5	4.0~5.5	1.50	1.90	22.10	2,500	40	0.20	B	P,U,X	①
FBD5015B05W3-81	5	4.0~5.5	2.50	5.20	29.70	3,500	70	0.35	B	P,U,X	②
FBD5015B05W5-81	5	4.0~5.5	3.00	9.20	36.30	4,500	140	0.70	B	P,U,X	③
FBD5015B05W7-81	5	4.0~5.5	3.60	14.30	41.60	5,500	190	0.95	B	P,U,X	④
FBD5015B05W9-81	5	4.0~5.5	4.20	20.70	46.00	6,500	300	1.50	B	P,U,X	⑤
FBD5015B12W1-81	12	9.0~13.8	1.50	1.90	22.10	2,500	30	0.36	B	P,U,X	①
FBD5015B12W3-81	12	9.0~13.8	2.50	5.20	29.70	3,500	40	0.48	B	P,U,X	②
FBD5015B12W5-81	12	9.0~13.8	3.00	9.20	36.30	4,500	80	0.96	B	P,U,X	③
FBD5015B12W7-81	12	6.0~13.8	3.60	14.30	41.60	5,500	110	1.32	B	P,U,X	④
FBD5015B12W9-81	12	6.0~13.8	4.20	20.70	46.00	6,500	150	1.80	B	P,U,X	⑤
FBD5015B12W10-81	12	6.0~13.8	4.90	30.30	49.20	7,500	250	3.00	B	P,U,X	⑥

Specifications are subject to change without notice



unit: mm(inch)