

# DC BLOWER 180x171x81mm



Housing: Thermoplastic PBT, UL 94V-0 and Aluminum Alloy.  
 Blade: Thermoplastic PBT, UL 94V-0  
 Insulation Resistance: 10M $\Omega$ , 500VDC/min between bare wire and frame  
 Dielectric Strength: 5mA max. 500VAC/min between bare wire and frame  
 Operation Temperature: -10°C~70°C(Humidity 35%-85%RH)  
 Storage Temperature: -40°C~70°C(Humidity 35%-85%RH)  
 Lead Wire: UL Type #22 AWG  
 Weight: 1150 g



SS

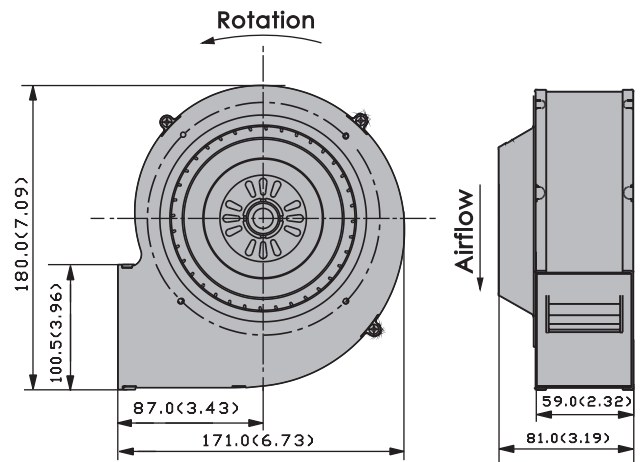
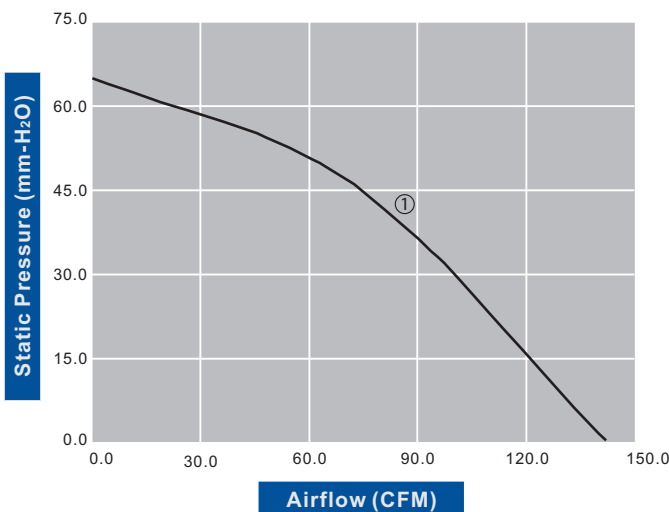
IP

SF

Model Number		Voltage (VDC)	Op.Voltage (VDC)	AirFlow (CFM)	Static Pres. (mm-H <sub>2</sub> O)	Noise (dBA)	Speed (RPM)	Current (mA)	Power (W)	Available Bearing	Additional Function (See Page 3)	Curves
FBD1881B24W3-61	★	24	12.0~27.6	138.90	64.80	62.10	2,000	2200	52.80	B	P,M,U,X,Y	①
FBD1881B48W3-61	★	48	24.0~55.2	138.90	64.80	62.10	2,000	1100	52.80	B	P,M,U,X,Y	①

• If model depicts "★", auto restart protection function built in.

Specifications are subject to change without notice



unit: mm(inch)